



Features:

Long electrical life cycles.
Choice of multiple colored caps.
Choice of painted colored caps.
Laser marking service.
Available for Push button with TFT display

产品特点:

触感型, 段落明显
超高亮TFT照光, 耐久鲜明
高信耐接触, 无杂讯
彩屏显示模式

Applications

Studio equipment.
Audio/Video products
Broadcast system
Instrumentation
Telecommunications...etc.

使用范围

音响、影像等录音室器材设备
广播系统、电信仪器设备。
消费电子产品等。



绝佳顿感, 滑顺均匀

Tactile or non-tactile feel, perfectly poised

超长距离, 高信耐接触, 无杂讯
Long distance connection,
high contact resistance, no noise



无杂讯



Studio equipment.
Audio/Video products,
Broadcast system,
Instrumentation,
Telecommunications ...etc.
音响、影像等录音室器材设备、广播系统、
电信仪器设备

General Specifications: (产品规格)

CONTACT RATING: 5 V DC, 0.2A MAX.
CONTACT RESISTANCE: 300mΩ MAX.(Initial).
INSULATION RESISTANCE: 100MΩ MIN (DC 250V).
WITHSTAND VOLTAGE: AC 300V /1 MINUTE.
OPERATING TEMPERATURE: -10℃~70℃.
OPERATING FORCE: 300±100 gf.cm .
FULL TRAVEL: 1.7±0.5mm .
LIFE CYCLE:10000 CYCLES.
TFT: 240(horizontal)X240(vertical) Pixel format.

Material: (产品材质)



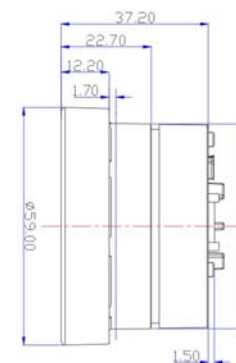
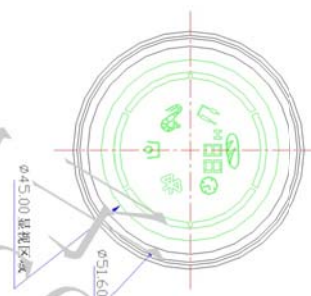
Cover: Polycarbonate(PC)
Actuator: Polyoxymethylene(POM)
Base Frame: Polyamide(PA)+GF
Terminal: Brass with silver plating
Moving Contact: Phosphor Bronze with gold plating
Display: LCD-TFT [COLOR LIGHT]

HOW TO ORDER

SERIES	OPERATION	POLE	ACTUATION TYPE	BACKLIGHT	DISPLAY	CAP TYPE	CAP COLOR	PLATE COLOR
DSP9	N	1	T	F	D	A	S	N
	N=NON-LOCK	1=1.POLE	T=TACTILE TYPE N=NON TACTILE X=NON OPERATION	R=RED G=GREEN B=BLUE Y=YELLOW O=ORANGE W=WHITE F=FULL COLOR N=NONE	L=DISPLAY(LED) D=DISPLAY[1.25TFT] DA=DISPLAY[1.6TFT] DB=DISPLAY[2.1TFT] N=NONE	A=A TYPE B=B TYPE C=C TYPE D=D TYPE	T=TRANSPARENT R=RED G=GREEN B=BLUE Y=YELLOW O=ORANGE KT=BLACK TRANSPARENT S=SILVER N=NONE	R=RED G=GREEN B=BLUE Y=YELLOW O=ORANGE W=WHITE N=NONE [OLED TYPE]

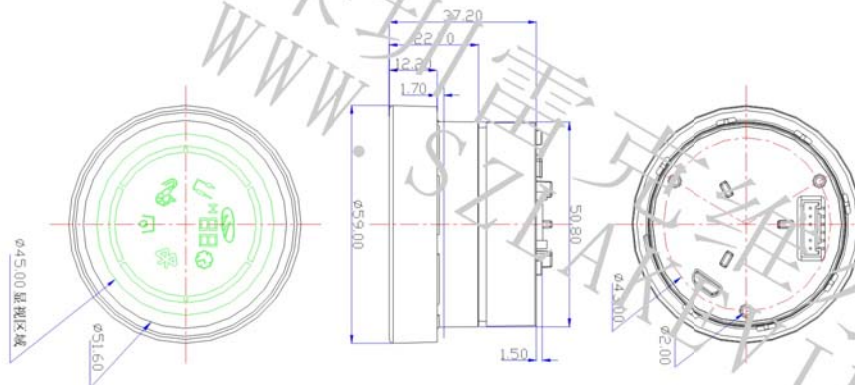
CAP Symbol: Please refer to cap selection for all available symbols on cap surface, and any customization is welcomed

DSP9-N1TFD-ASN



i DSP9

DSP9-N1TFDA-ASN



DSP9-N1TFDB-ASN

