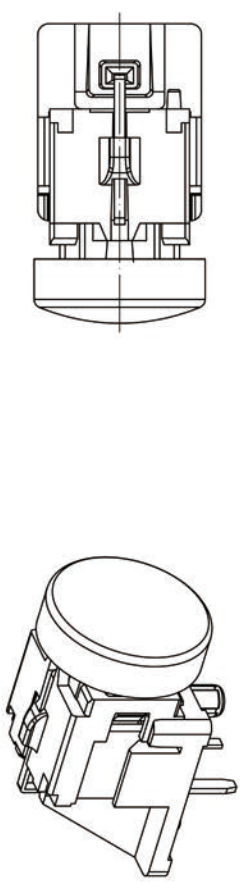
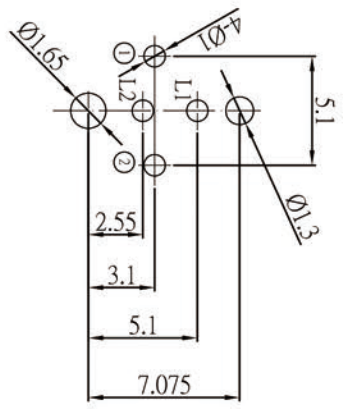


DIMENSION	TOLERANCE
BELOW 10 mm	± 0.25
10~50 mm	± 0.4
ABOVE 50 mm	± 0.7



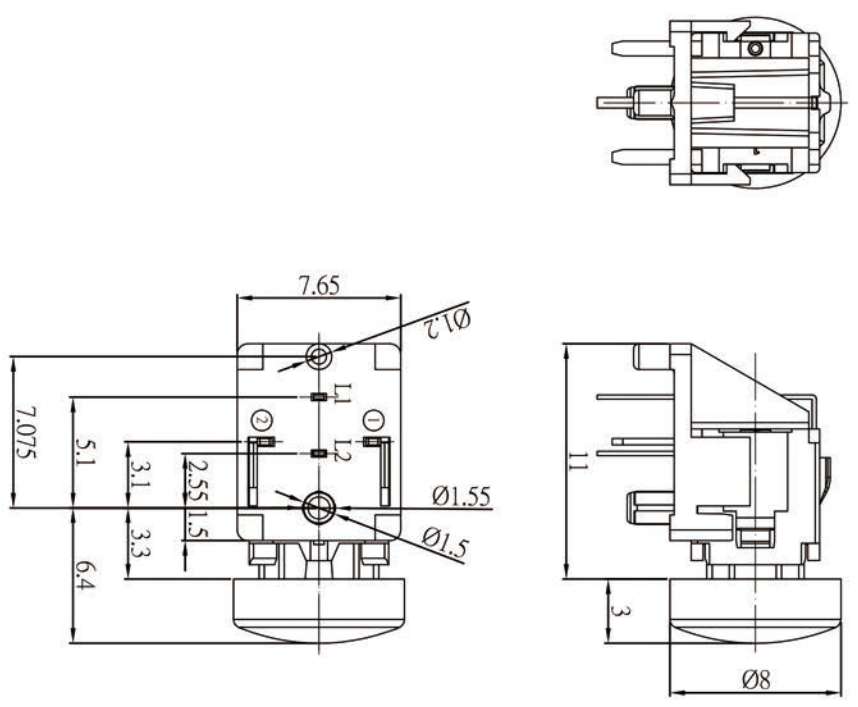
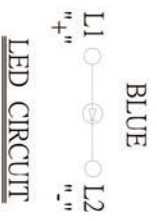
P.C.B LAYOUT



CIRCUIT DIAGRAM



1. RATING : 12 V DC , 50 mA .
2. CONTACT RESISTANCE : 100 mΩ MAX .
3. INSULATION RESISTANCE : 500 V DC , 100MΩ MIN .
4. OPERATION FORCE : 180±50gf .
5. OPERATION TEMPERATURE RANGE : -20°C ~ +70°C .
6. OPERATION LIFE : 500,000 CYCLES .



VER	DATE	APPROVAL	CONFIRM	DESIGN	ENGINEERING RECORD DESCRIPTION	UNIT	SCALE	MODE	TACT WITH LED SWITCH	VIEW
V0	2016/7/25	JOHNSON	ALEN	MIKE	ORIGINAL DESIGN	mm	1 : 1	ANGLE TER	± 3°	!
										WWW.SLAKEVIEW.COM
										ELECTRONICS CO., LTD
										PHONE (86)755-29424722/29424733