



Features:
 Small size
 Clear contact feeling
 Bi-color LED illumination available
 Right angle through-hole mounting

产品特点：

小尺寸
 接触感觉良好
 双色LED照明可用
 直角通孔安装设计

Applications:

Consumer products
 Network products
 Instrumentation
 Communication equipments...etc.

使用范围：

时尚消费产品
 网络产品
 仪器通讯...

Features:

- Small size
- Clear contact feeling
- Bi-color LED illumination available
- Right angle through-hole mounting

Applications (使用范围) :

- Consumer products 时尚消费产品
- Network products 网络产品
- Instrumentation 仪器通讯...
- Communication equipments ...etc.

General Specifications: (产品规格)

- Circuit: 1P2T
- Contact Rating: Power Min./Max.:0.02VA/1.0VA
Current Min./Max.:0.1mA~100mA
Voltage Min./Max.: DC 20mV~DC 32V
- Contact Resistance: 250mΩ Max. 1.5V DC;100mA,
by method of voltage drop
- Insulation Resistance: 100MΩ Min.500V DC
- Dielectric Strength:Breakdown is not allowable;
250V AC for 1 minute
- Actuation Force: 400 ±125gf
- Total Travel:2.0mm Max.
- Operating Life: 50,000 cycles
- Operating Temperature: -40°C to 85°C

Material: (产品材质)

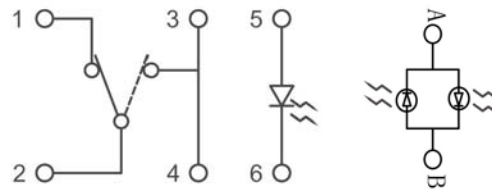


- Actuator: Polyamide(PA)+GF
- Frame: Polycarbonate(PC)
- Terminal: Brass with gold plating

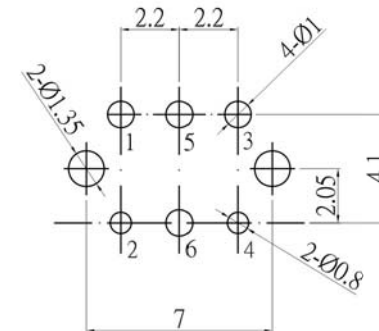
SERIES	OPERATION	POLE	FRAME TYPE	LED COLOR	LED COLOR	ACTUATOR TYPE	ACTUATOR COLOR	CAP TYPE	CAP COLOR
TL6	N	1	B	R	G	A	T	A	T
	N=NON-LOCK	1=1 POLE	A=A TYPE B=B TYPE C=C TYPE	R=RED G=GREEN B=BLUE Y=YELLOW O=ORANGE W=WHITE N=NONE	R=RED G=GREEN B=BLUE Y=YELLOW O=ORANGE W=WHITE N=NONE	A=A TYPE B=B TYPE C=C TYPE D=D TYPE D1=D1 TYPE	T=TRANSPARENT R=RED G=GREEN B=BLUE Y=YELLOW O=ORANGE W=WHITE K=BLACK	R=R TYPE R1=R1 TYPE R2=R2 TYPE R3=R3 TYPE R4=R4 TYPE S=S TYPE S1=S1 TYPE S2=S2 TYPE S3=S3 TYPE S4=S4 TYPE N=NONE	T=TRANSPARENT R=RED G=GREEN B=BLUE Y=YELLOW O=ORANGE W=WHITE WT=W+T K=BLACK N=NONE

CAP Symbol:Please refer to cap selection for all available symbols on cap surface,and any customization is welcomed

CIRCUIT



P. C. B LAYOUT

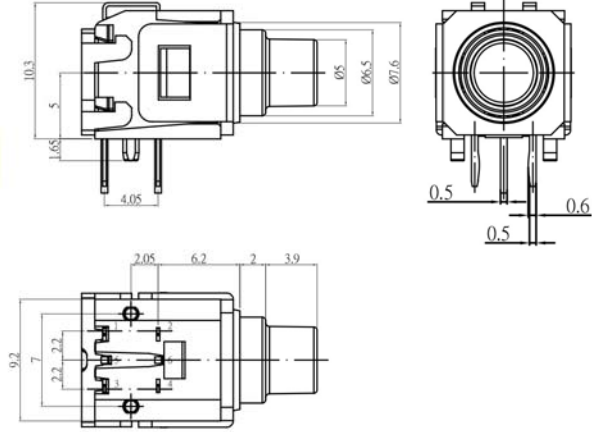


LED Specifications:

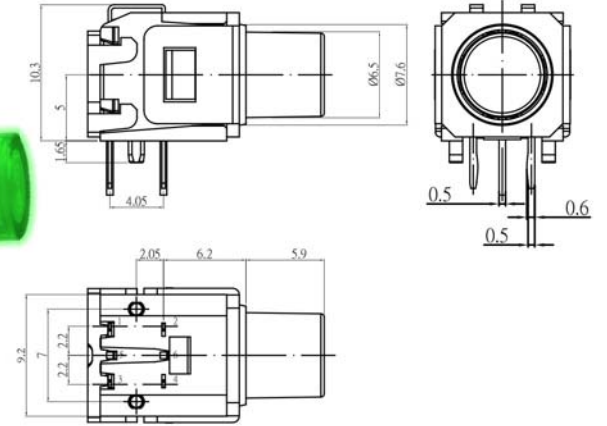
Color	V		Recommended Operating Current	VF	
				Nom	Max
Red	DC 5V	20mA	20mA	1.7V	2.4V
Green	DC 5V	20mA	20mA	1.9V	2.4V
Yellow	DC 5V	20mA	20mA	1.9V	2.4V
Blue	DC 5V	20mA	20mA	3.0V	3.6V
White	DC 5V	20mA	20mA	3.0V	3.6V

For the specification about the other LED colors ,Please contact with sales department.

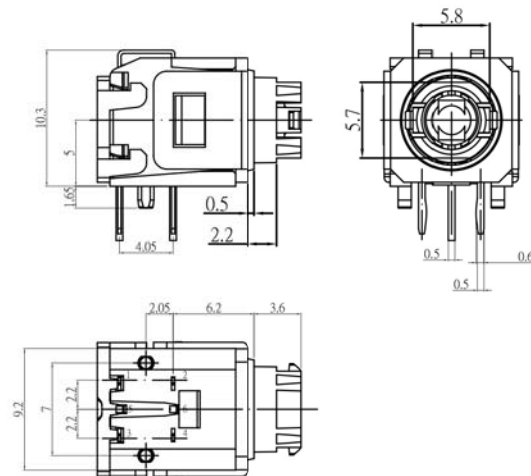
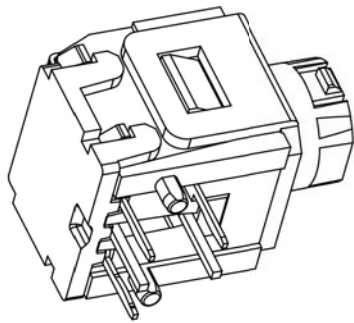
TL6-N1BYN-AT



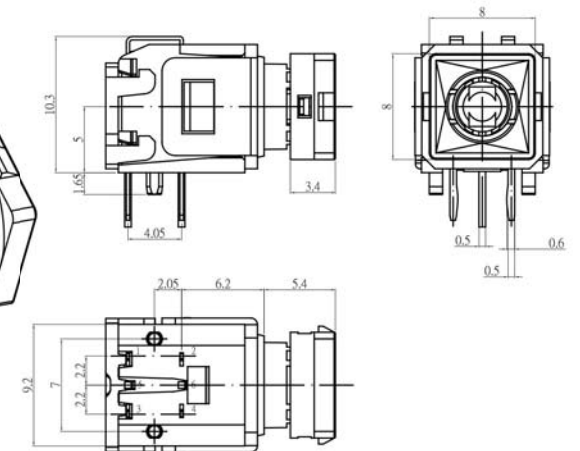
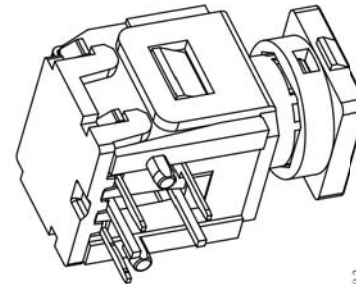
TL6-N1BGN-BT



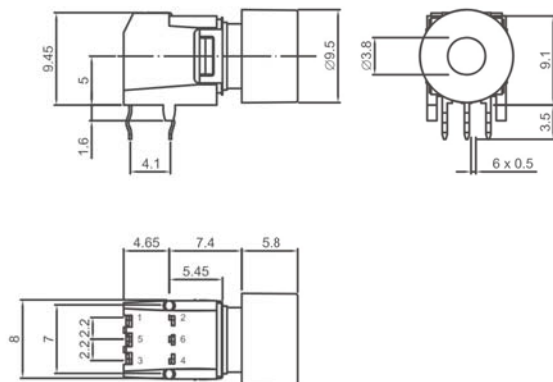
TL6-N1BBN-DT



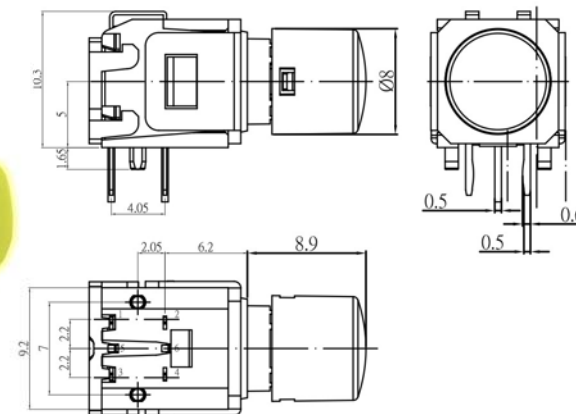
TL6-N1BBN-D1T



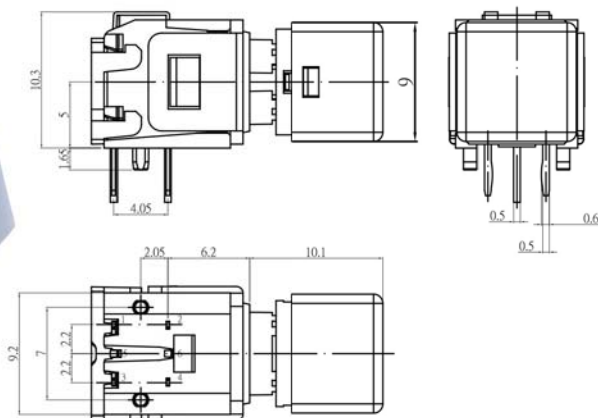
TL6-N1BGN-BTR1K



TL6-N1BBN-DTR3W



TL6-N1BBN-D1TS1W



TL6-N1BBN-D1TS3WT

