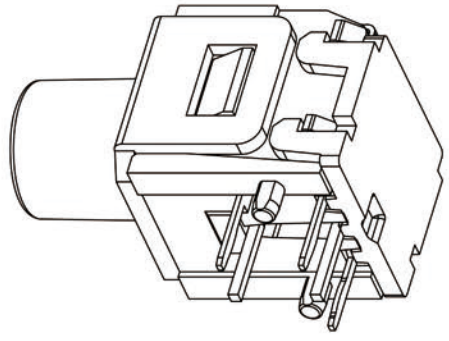
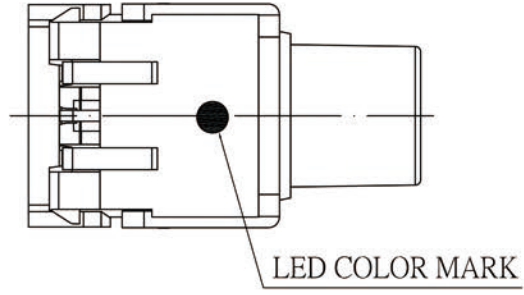
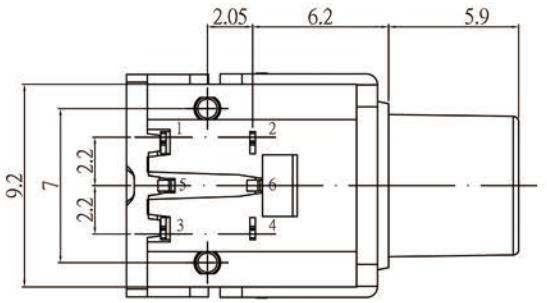
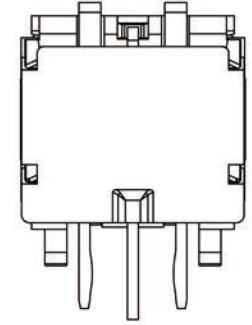
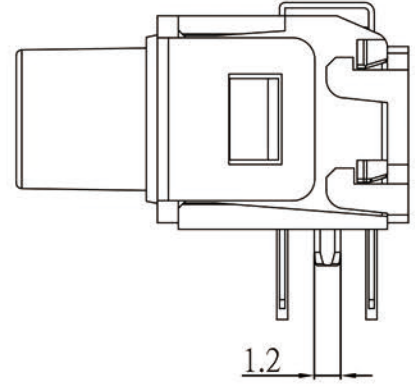
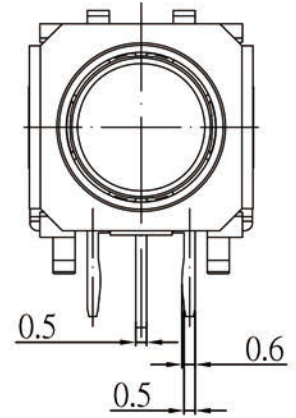
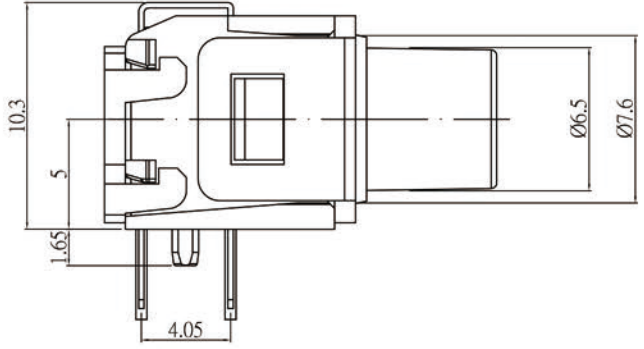
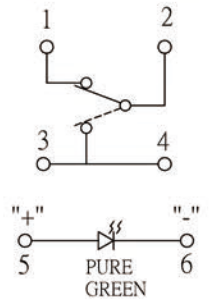


DIMENSION	TOLERANCE
BELOW 10 mm	± 0.25
10~50 mm	± 0.4
ABOVE 50 mm	± 0.7

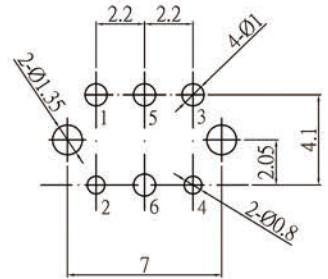


**SCHEMATIC**



1. RATING : POWER MIN / MAX : 0.02VA / 1.0VA ;  
CURRENT ( 0.1 mA ~ 100 mA ) ;  
VOLTAGE ( 20 mV DC ~ 32 V DC ) .
2. POLE POSITION : 1P2T .
3. CONTACT RESISTANCE : 250 Ω MAX .
4. INSULATION RESISTANCE : 500V DC , 100M Ω MIN .
5. OPERATING FORCE : 400 ± 150 gf .
6. TOTAL TRAVEL : 1 ± 0.25 mm .
7. OPERATING TEMPERATURE RANGE : -40°C ~ +80°C .
8. OPERATING LIFE : 2,000,000 CYCLES .

**P.C.B. LAYOUT**



UNIT	mm	MODE	TACT WITH LED SWITCH						
V0	2015/7/25	JOHNSON	ALEN	MIKE	ORIGINAL DESIGN	SCALE	1 : 1	ANGLE TER	± 3°
VER	DATE	APPROVAL	CONFIRM	DESIGN	ENGINEERING RECORD DESCRIPTION	PART	TL6-N1BGN-BT	VIEW	PHONE



WWW.SZLAKEVIEW.COM  
ELECTRONICS CO., LTD

PHONE (86)755-29424722/29424733