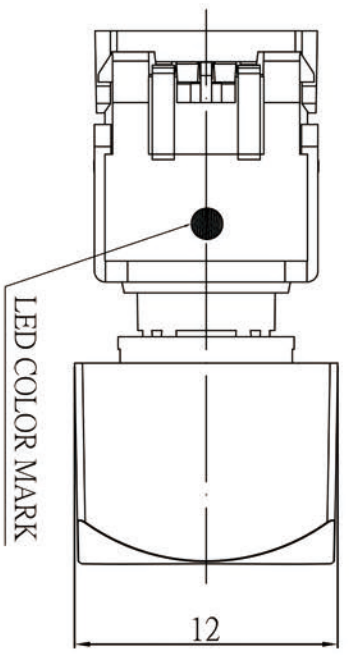
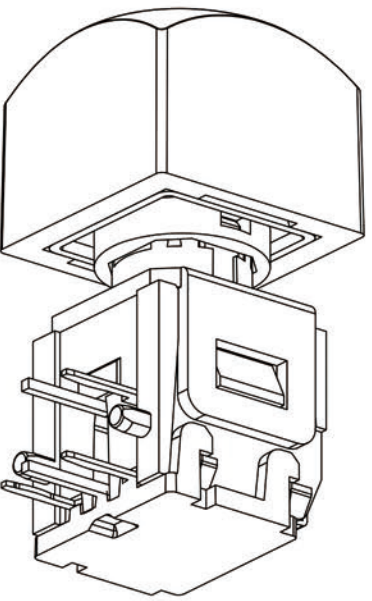


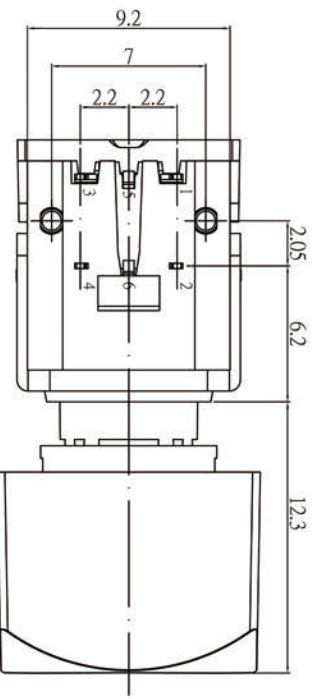
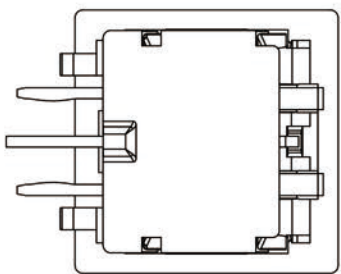
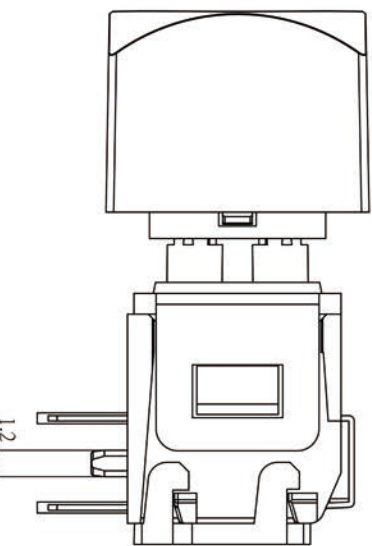
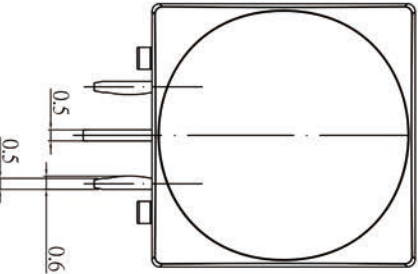
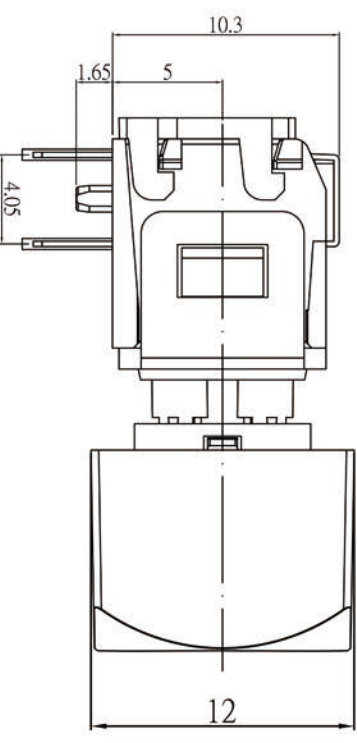
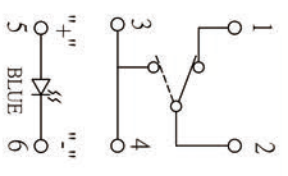
DIMENSION	TOLERANCE
BELOW 10 mm	± 0.25
10-50 mm	± 0.4
ABOVE 50 mm	± 0.7



LED COLOR MARK

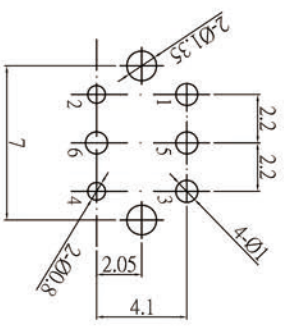


SCHEMATIC



1. RATING : POWER MIN / MAX : 0.02VA / 1.0VA ;
CURRENT (0.1 mA ~ 100 mA) ;
VOLTAGE (20 mV DC ~ 32 V DC) .
2. POLE POSITION : 1P2T .
3. CONTACT RESISTANCE : 250 Ω MAX .
4. INSULATION RESISTANCE : 500V DC , 100M Ω MIN .
5. OPERATING FORCE : 400 ± 150 gf .
6. TOTAL TRAVEL : 1± 0.25 mm .
7. OPERATING TEMPERATURE RANGE : - 40°C ~ + 80°C .
8. OPERATING LIFE : 2,000,000 CYCLES .

P.C.B. LAYOUT



VER	DATE	APPROVAL	CONFIRM	DESIGN	ENGINEERING RECORD DESCRIPTION	UNIT	MODE	TACT WITH LED SWITCH	VIEW
V0	2015/7/25	JOHNSON	ALEN	MIKE	ORIGINAL DESIGN	mm	ANGLE TER	± 3°	WWW.SZLAKEVIEW.COM ELECTRONICS CO., LTD
						SCALE	1 : 1		PHONE (86)755-29424722/29424733
						PART	TL6-N1B8N-D1TS3WT		