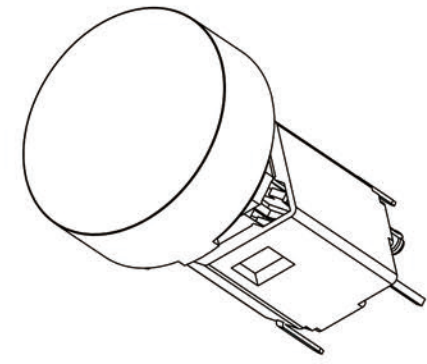
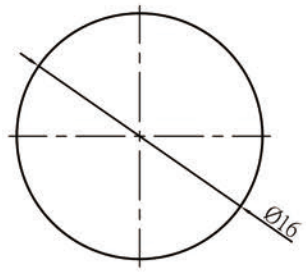
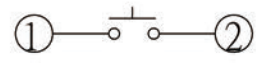


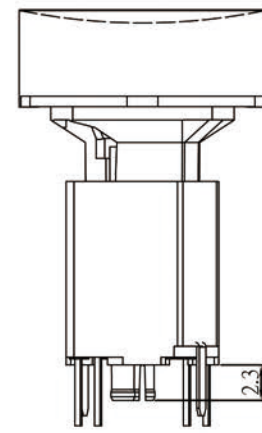
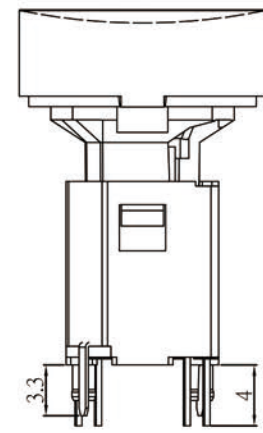
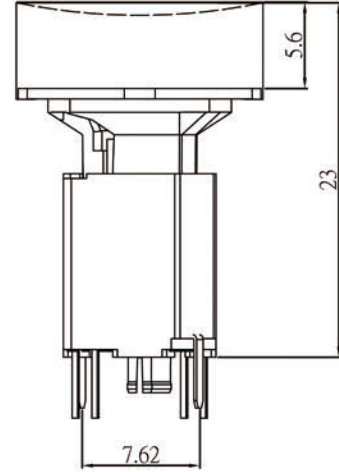
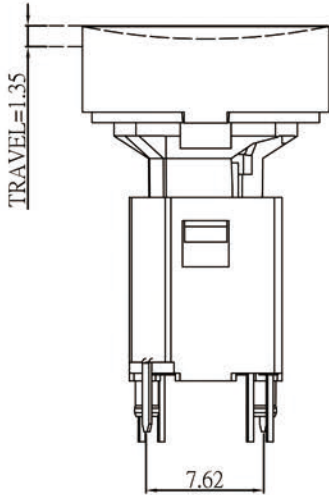
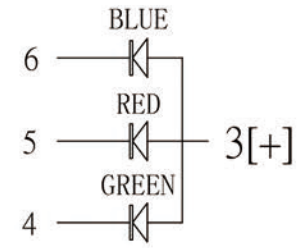
| DIMENSION | TOLERANCE |
|-------------|-----------|
| BELOW 10 mm | ± 0.25 |
| 10~50 mm | ± 0.4 |
| ABOVE 50 mm | ± 0.7 |



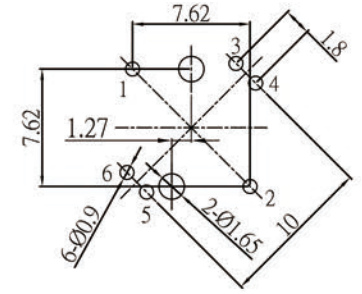
SW CIRCUIT



LED CIRCUIT

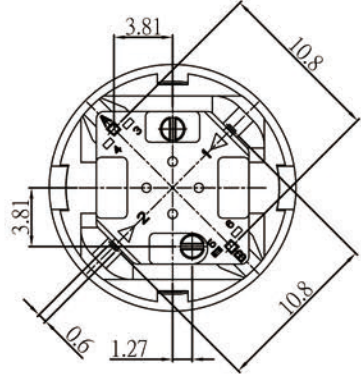


P.C.B.LAYOUT



CAP COLOR

| | |
|---|-------------|
| W | WHITE |
| K | BLACK |
| R | RED |
| B | BULE |
| N | WITHOUT |
| T | Transparent |



SPECIFICATION :

1. RATING : 30VDC/100mA[**MAX**];5VDC/1mA[**MIN**] .
2. CONTACT RESISTANCE : 180Ω, MAX .
3. INSULATION RESISTANCE : 100 V DC - 100 MΩ, MIN .
4. WITHSTAND VOLTAGE : 250 V AC - 1 MINUTE .
5. OPERATING FORCE : 125 ± 50 gf .
6. LIFE CYCLE : 500,000 CYCLE .

| | | | | | | | | | | | |
|-----|-----------|----------|---------|--------|--------------------------------|-------|-----------------|-----------|----------------------|--|---------------------------|
| | | | | | | UNIT | mm | MODE | TACT WITH LED SWITCH | WWW.SZLAKEVIEW.COM ELECTRONICS CO., LTD | |
| V0 | 2016/7/20 | JOHNSON | ALEN | MIKE | ORIGINAL DESIGN | SCALE | 1 : 1 | ANGLE TER | ± 3° | | |
| VER | DATE | APPROVAL | CONFIRM | DESIGN | ENGINEERING RECORD DESCRIPTION | PART | TL3-N1CBRG-ARCT | VIEW | | PHONE | (86)755-29424722/29424733 |