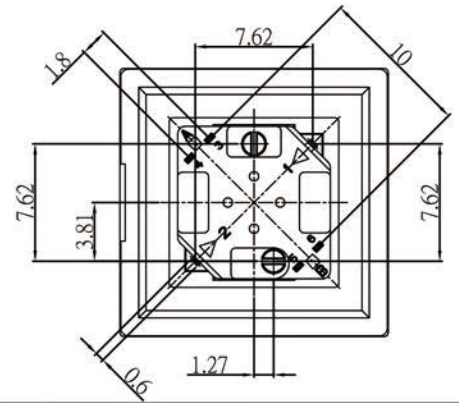
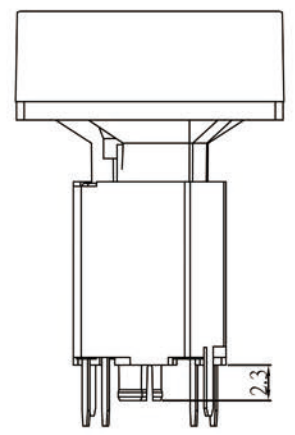
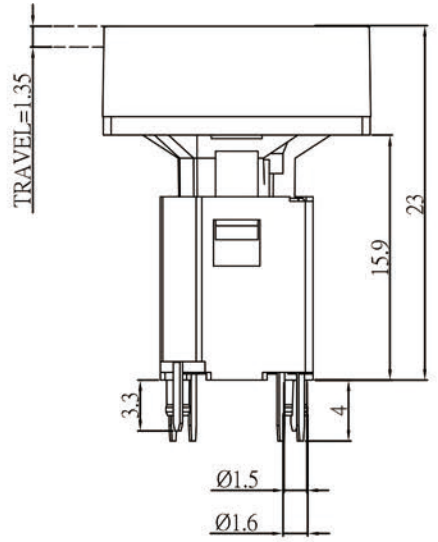
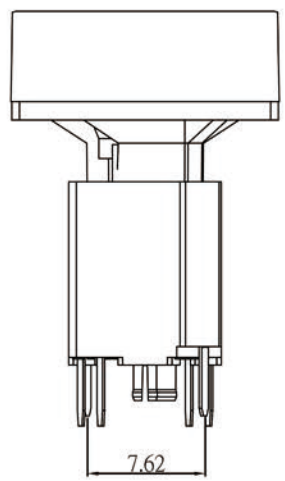
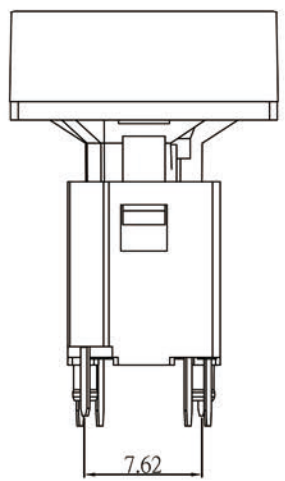
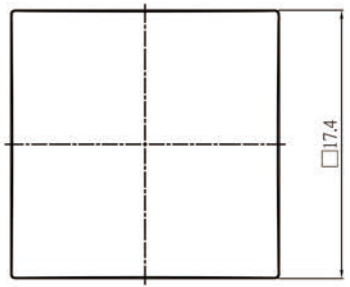


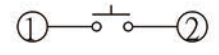
DIMENSION	TOLERANCE
BELOW 10 mm	± 0.25
10~50 mm	± 0.4
ABOVE 50 mm	± 0.7



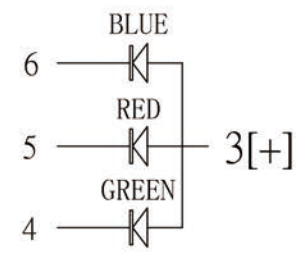
CAP COLOR

W	WHITE
K	BLACK
R	RED
B	BULE
N	WITHOUT
T	Transparent

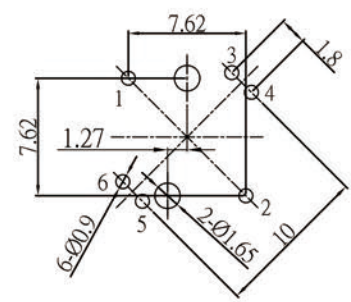
SW CIRCUIT



LED CIRCUIT



P.C.B.LAYOUT



SPECIFICATION :

1. RATING : 30VDC/100mA[**MAX**];5VDC/1mA[**MIN**] .
2. CONTACT RESISTANCE : 180 Ω , MAX .
3. INSULATION RESISTANCE : 100 V DC - 100 M Ω , MIN .
4. WITHSTAND VOLTAGE : 250 V AC - 1 MINUTE .
5. OPERATING FORCE : 125 \pm 50 gf .
6. LIFE CYCLE : 500,000 CYCLE .

VO	2016/7/20	JOHNSON	ALEN	MIKE	ORIGINAL DESIGN	UNIT	mm	MODE	TACT SWITCH WITH LED	WWW.SZLAKEVIEW.COM ELECTRONICS CO., LTD	
VER	DATE	APPROVAL	CONFIRM	DESIGN	ENGINEERING RECORD DESCRIPTION	SCALE	1 : 1	ANGLE TER	± 3°		
						PART	TL3-N1CBRG-AF1T			VIEW	PHONE (86)755-29424722/29424733