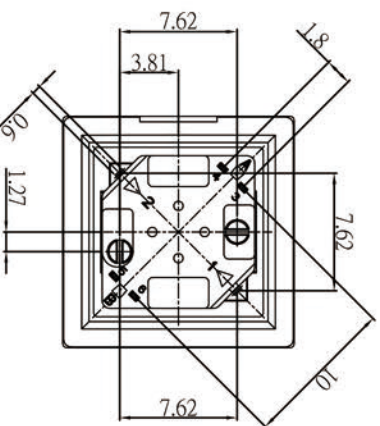
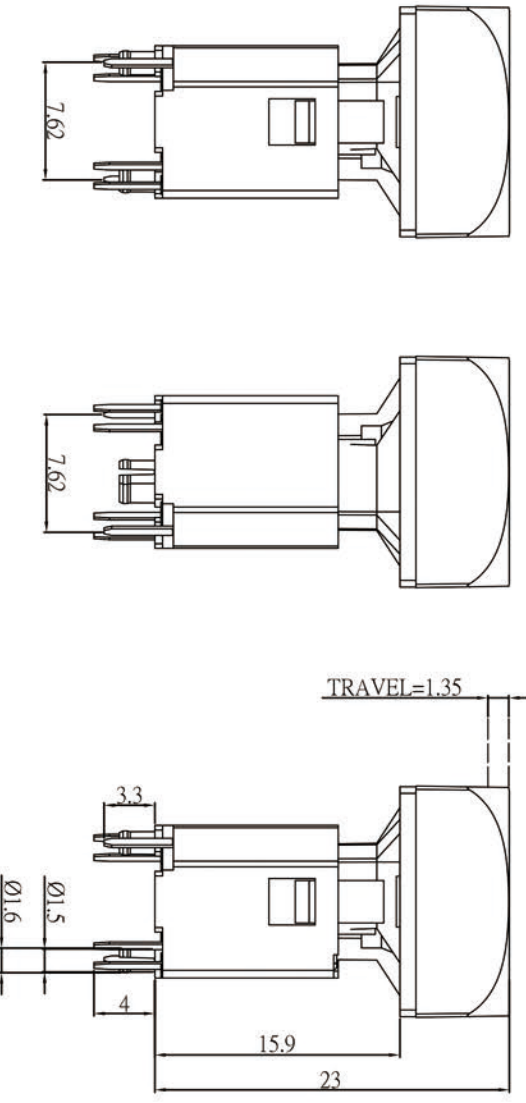


DIMENSION	TOLERANCE
BELOW 10 mm	± 0.25
10-50 mm	± 0.4
ABOVE 50 mm	± 0.7



**CAP COLOR**

W	WHITE
K	BLACK
R	RED
B	BLUE
N	WITHOUT
T	Transparent

**CAP COLOR**

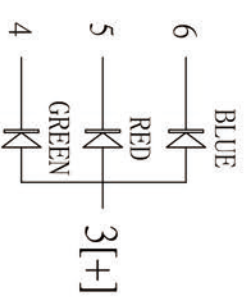
**SPECIFICATION :**

1. RATING : 30VDC/100mA[**MAX**];5VDC/1mA[**MIN**].
2. CONTACT RESISTANCE : 180 $\Omega$ , MAX.
3. INSULATION RESISTANCE : 100 V DC - 100 M $\Omega$ , MIN.
4. WITHSTAND VOLTAGE : 250 V AC - 1 MINUTTE.
5. OPERATING FORCE : 125  $\pm$  50 gf.
6. LIFE CYCLE : 500,000 CYCLE.

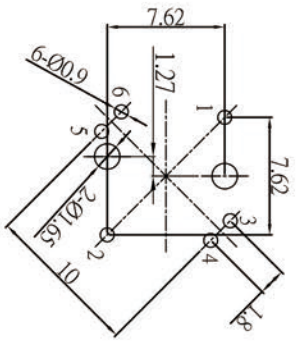


**SW CIRCUIT**

**LED CIRCUIT**



**P.C.B.LAYOUT**



VER	DATE	APPROVAL	CONFIRM	DESIGN	ENGINEERING RECORD DESCRIPTION	UNIT	SCALE	PART	TL3-NICBRG-AET	MODE	ANGLE TER	TACT SWITCH WITH LED	VIEW
V0	2016/7/20	JOHNSON	ALEN	MIKE	ORIGINAL DESIGN	mm	1 : 1		TL3-NICBRG-AET	ANGLE TER	± 3°	TACT SWITCH WITH LED	<b>WWW.SLAKEVIEW.COM</b> <b>ELECTRONICS CO., LTD</b>
													<b>PHONE (86)755-29424722/29424733</b>