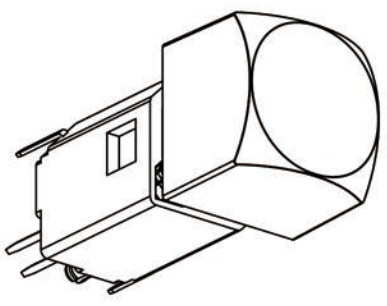
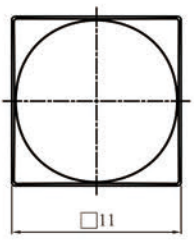
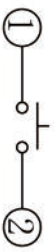


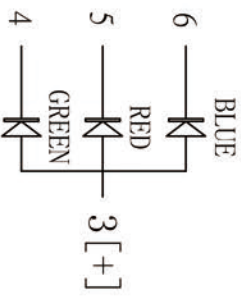
DIMENSION	TOLERANCE
BELOW 10 mm	± 0.25
10~50 mm	± 0.4
ABOVE 50 mm	± 0.7



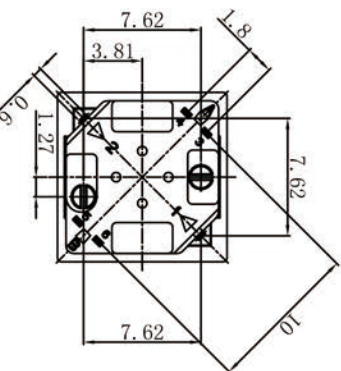
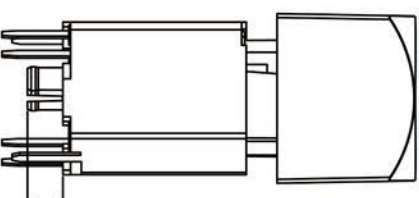
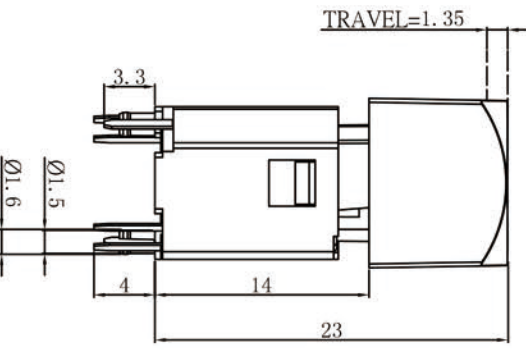
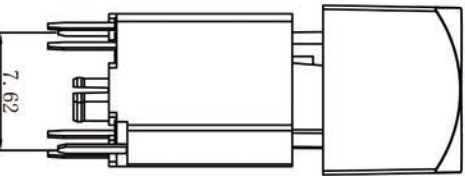
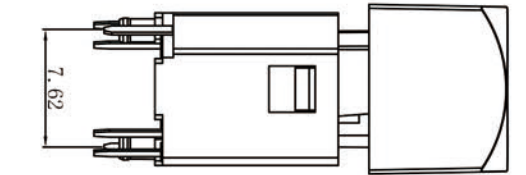
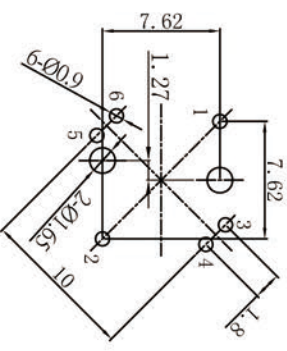
**SW CIRCUIT**



**LED CIRCUIT**



**P. C. B. LAYOUT**



**CAP COLOR**

W	WHITE
K	BLACK
R	RED
B	BLUE
N	WITHOUT
T	Transparent

**SPECIFICATION :**

1. RATING : 30VDC/100mA[**MAX**] ;5VDC/1mA[**MIN**] .
2. CONTACT RESISTANCE : 180Ω MAX .
3. INSULATION RESISTANCE : 100 V DC - 100 MΩ MIN .
4. WITHSTAND VOLTAGE : 250 V AC - 1 MINUTE .
5. OPERATING FORCE : 125 ± 50 gf .
6. LIFE CYCLE : 500,000 CYCLE .

NO	DATE	APPROVAL	CONFIRM	DESIGN	ENGINEERING RECORD DESCRIPTION	UNIT	SCALE	PART
2016/7/20	JOHNSON	ALEN	MIKE	ORIGINAL DESIGN		mm	1 : 1	TL3-NICBRG-ADT
						MODE	ANGLE TER	TACT SWITCH WITH LED
							± 3°	



**WWW.SLAKEVIEW.COM**  
**ELECTRONICS CO., LTD**

PHONE (86) 755-29424722/29424733