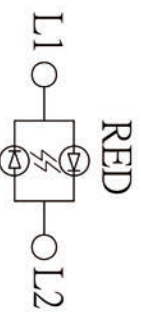
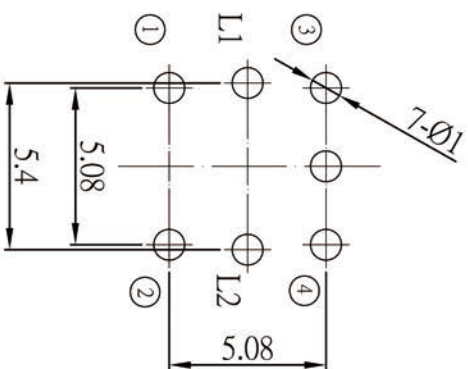


SW CIRCUIT

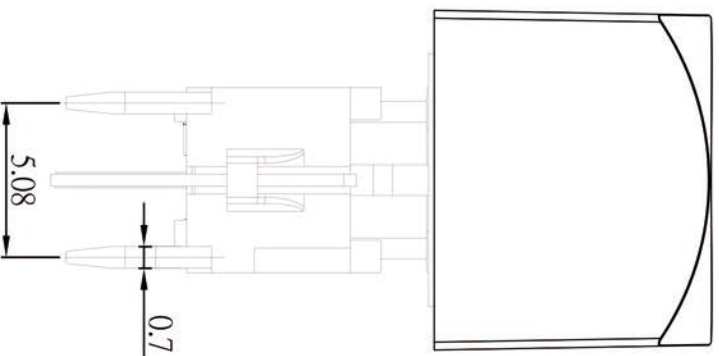
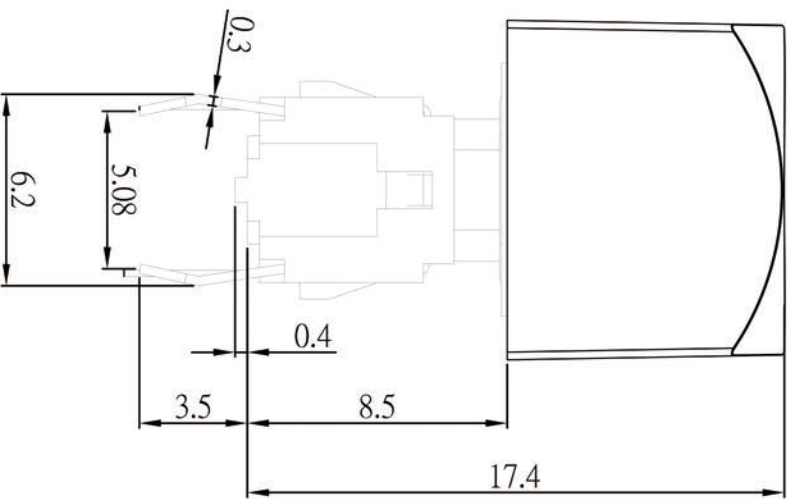


LED CIRCUIT



PCB LAYOUT

DIMENSION	TOLERANCE
≤10	±0.3
10~100	±0.5
≥100	±0.8



1. RATING : 12 V DC , 50 mA .
2. CONTACT RESISTANCE : 100 mΩ MAX .
3. INSULATION RESISTANCE : 500 V DC , 100MΩ MIN .
4. OPERATION FORCE : 250±80gf .
5. OPERATION TEMPERATURE RANGE : -20°C ~ +70°C .
6. OPERATION LIFE : 500,000 CYCLES .

VER	DATE	APPROVAL	CONFIRM	DESIGN	ENGINEERING RECORD DESCRIPTION
VO	2015/7/25	JOHNSON	ALEN	MIKE	ORIGINAL DESIGN
UNIT	SCALE	ANGLE TER	VIEW	MODE	
mm	1 : 1	± 3°	VIEW	MODE	
			FACT SWITCH		
TL2-NNSWT-RIG1					
Tel: (86)755-29424722/29424733					
WWW.SZLAKEVIEW.COM					
ELECTRONICS CO., LTD					