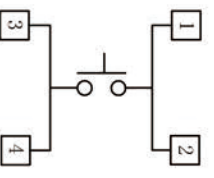
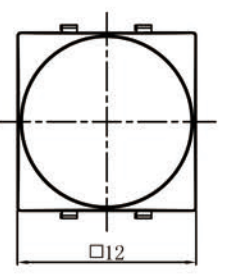
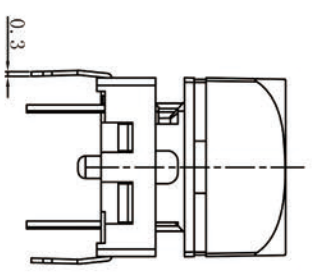
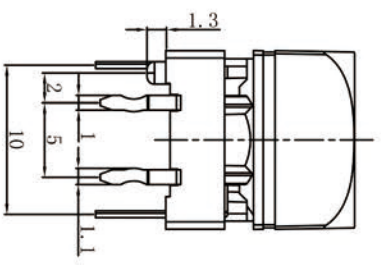
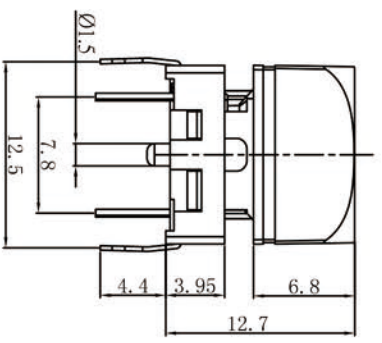
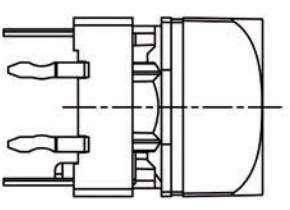


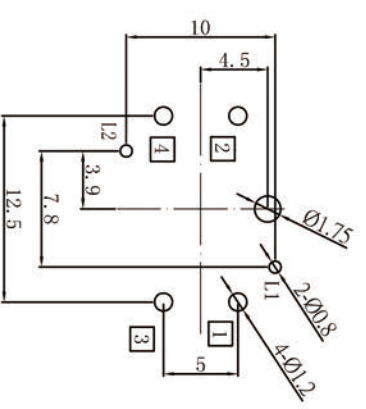
DIMENSION	TOLERANCE
BELOW 10 mm	± 0.25
10~50 mm	± 0.4
ABOVE 50 mm	± 0.7



**SW CIRCUIT**

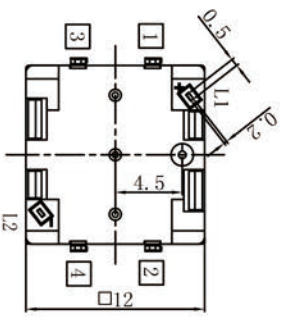


**LED CIRCUIT**



**PCB LAYOUT**

- SPECIFICATION :**
1. RATING : 12 VDC, 50mA
  2. CONTACT RESISTANCE : 100mΩ MAX(INITIAL)
  3. INSULATION RESISTANCE:100MΩ MIN
  4. BREAKDOWN VOLTAGE : 250 VAC FOR 1 MINUTE
  5. OPERATING FORCE : 250 ± 50gf
  6. TOTAL TRAVEL : 0.4 ± 0.15mm
  7. OPERATING TEMPERATURE: -20 ° C ~ 70 ° C
  8. LIFE CYCLE : 500, 000 CYCLE



VER	DATE	APPROVAL	CONFIRM	DESIGN	ENGINEERING RECORD DESCRIPTION	UNIT	SCALE	MODE	TACT WITH LED SWITCH	VIEW
00	2015/7/25	JOHNSON	ALEN	MIKE	ORIGINAL DESIGN	mm	1 : 1	ANGLE TER	± 3°	 <b>SHENZHEN LAKEVIEW ELECTRONICS CO., LTD</b>