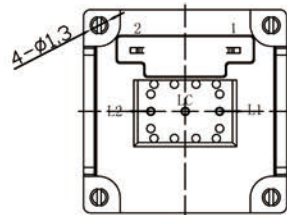
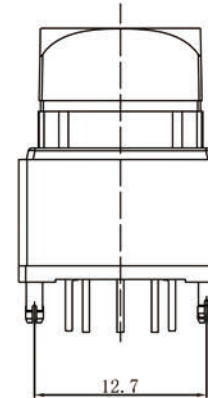
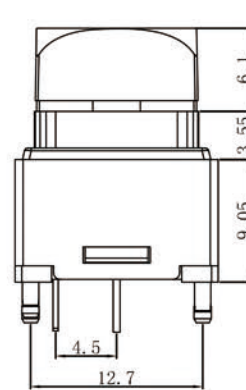
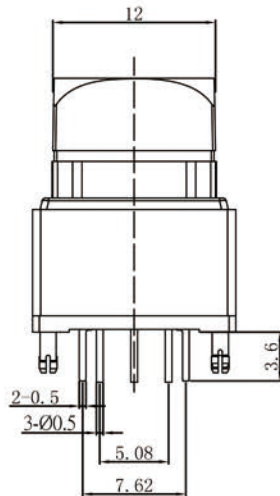
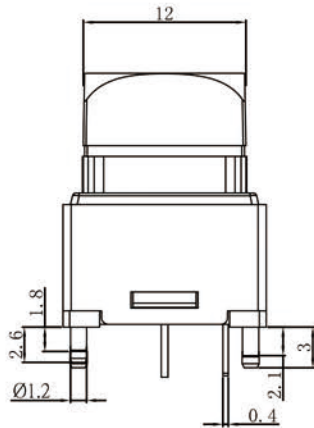
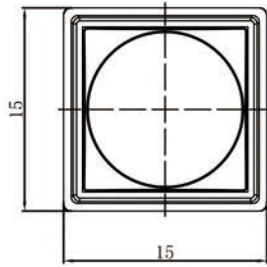
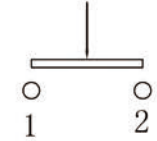


DIMENSION	TOLERANCE
≤10	± 0.3
10~100	± 0.5
≥100	± 0.8

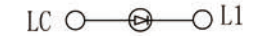


1. RATING : 12 V DC , 0.1A .
2. CONTACT RESISTANCE : 200 mΩ , MAX .(Initial)
3. INSULATION RESISTANCE : 100 MΩ , MIN(DC 250V) .
4. WITHSTAND VOLTAGE : AC 250 V / 1 MINUTE.
5. OPERATING TEMPERATURE : -25°C ~ 70°C .
6. OPERATING FORCE : 180±80gf .
7. FULL TRAVEL : 2.5±0.3mm .
8. LIFE CYCLE: 2,000,000 CYCLES .

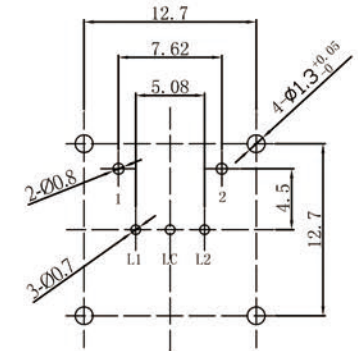


SW CIRCUIT

YELLOW



LED CIRCUIT



PCB LAYOUT

UNIT	SCALE	ANGLE TER	VIEW	MODE						
mm	1 : 1	± 3°		PUSH WITH LED SWITCH						
VER	DATE	APPROVAL	CONFIRM	DESIGN	ENGINEERING	RECORD	DESCRIPTION			
					PLC-N1TYN-ATW-A			Tel:	(86) 755-29424722/29424733	