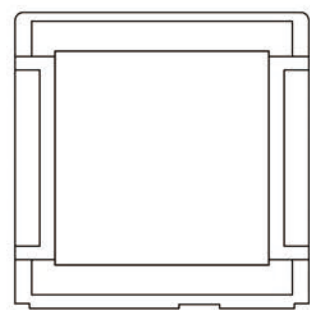
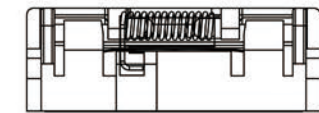
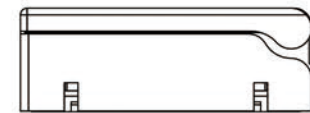
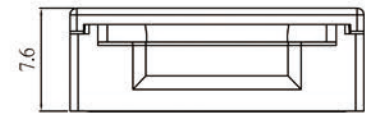
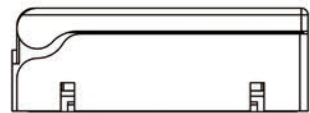
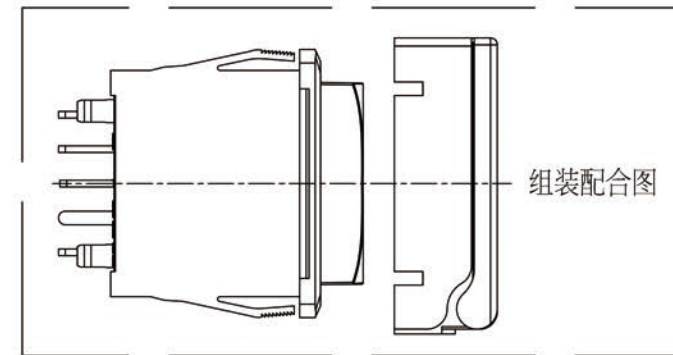
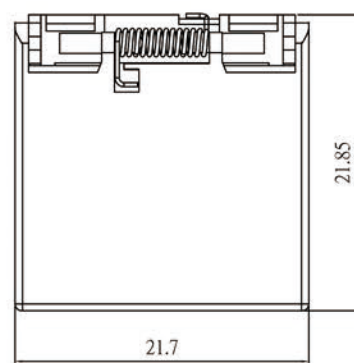


DIMENSION	TOLERANCE
≤10	±0.3
10~100	±0.5
≥100	±0.8



UNIT	SCALE	ANGLE TER	VIEW	MODE							
mm	1:1	±3°		PUSH WITH LED SWITCH		WWW.SZLAKEVIEW.COM				ELECTRONICS CO., LTD	
VER	DATE	APPROVAL	CONFIRM	DESIGN	ENGINEERING RECORD DESCRIPTION					PLB-P1KT	Tel: (86)755-29424722/29424733
V0	2016/1/20	JOHNSON	ALEN	MIKE	ORIGINAL DESIGN						