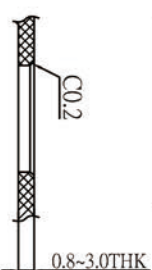
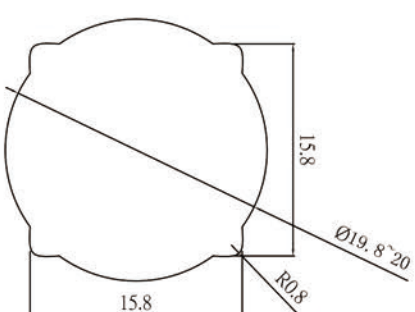
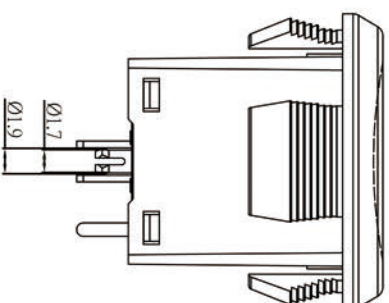
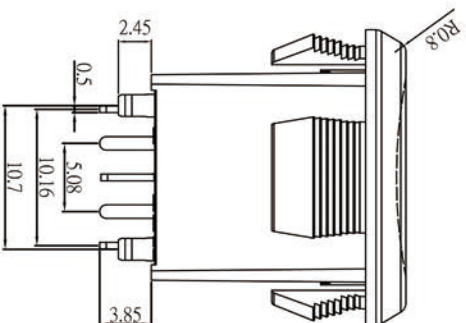
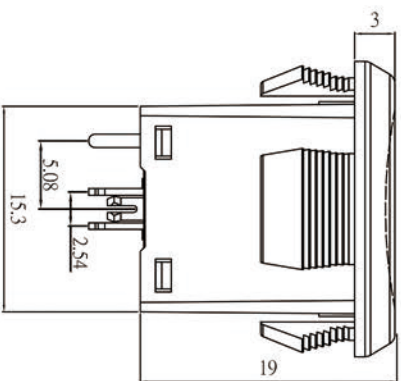
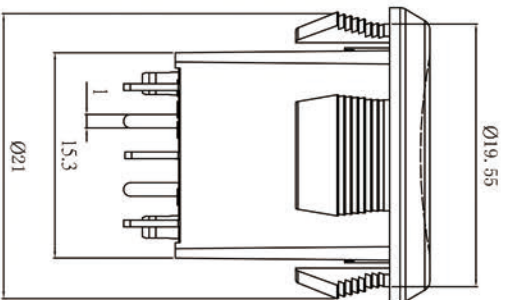
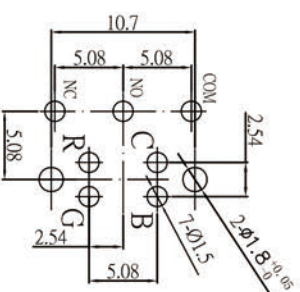
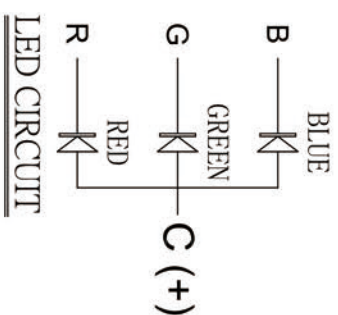
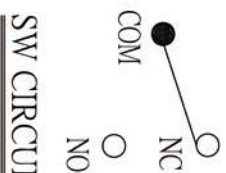
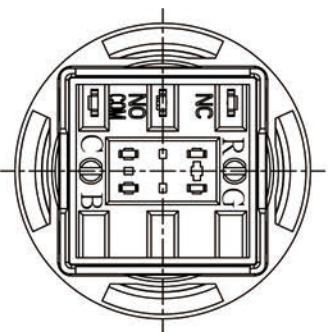


1. RATING : 28 V DC , 0.4A MAX[GOLD PIN]
2. CONTACT RESISTANCE : 100 mΩ , MAX
3. INSULATION RESISTANCE : DC 500 V / 100 MΩ , MIN
4. WITHSTAND VOLTAGE : AC 500 V / 1 MINUTE
5. OPERATING TEMPERATURE : -25°C ~ 70°C
6. OPERATING FORCE : 200±100 gf .
7. LIFE CYCLE: 200,000 CYCLES



PANEL CUT

DIMENSION	TOLERANCE
≤10	±0.3
10~100	±0.5
≥100	±0.8



PCB LAYOUT
[reference drawing]

VER	DATE	APPROVAL	CONFIRM	DESIGN	UNIT	SCALE	ANGLE TER	VIEW	MODE
V0	2016/1/20	JOHNSON	ALEN	MIKE	mm	1 : 1	±3°	PUSH SWITCH WITH LED	
ORIGINAL DESIGN					ENGINEERING RECORD DESCRIPTION				
ENGINEERING RECORD DESCRIPTION					PLB-N1PRGB-R11TW-42KN				
					Tel: (86)755-29424722/29424733				

WWW.SLAKEVIEW.COM
ELECTRONICS CO., LTD