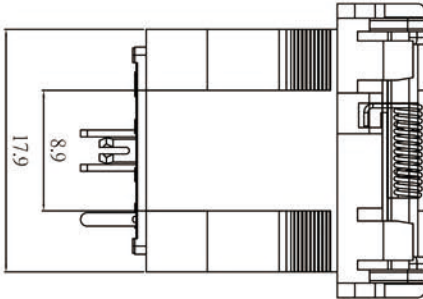
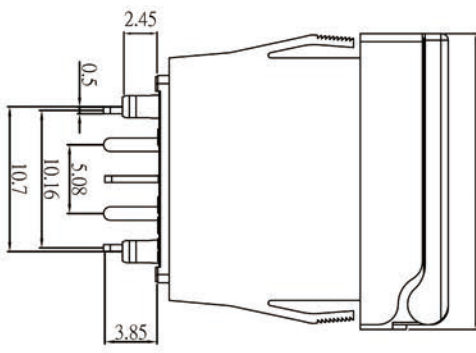
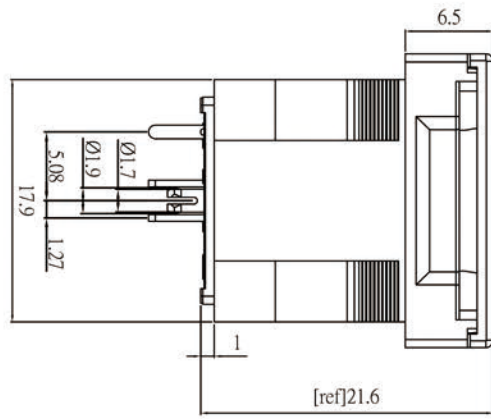
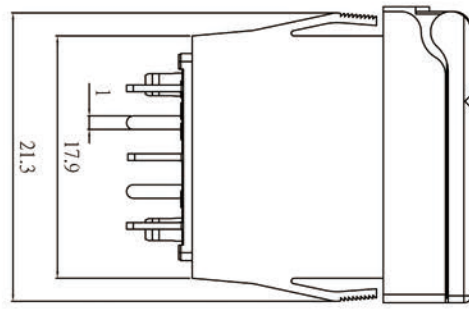
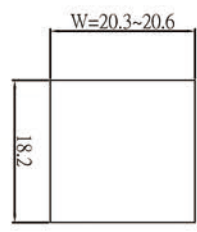
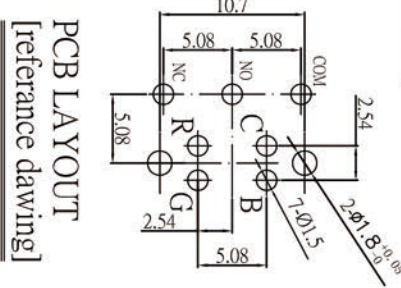
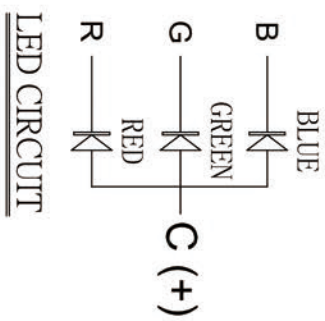
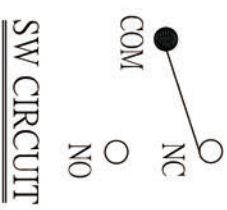
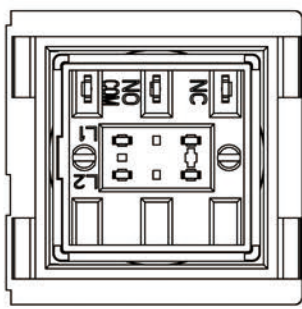


**PANEL CUT**

DIMENSION	TOLERANCE
$\leq 10$	$\pm 0.3$
10~100	$\pm 0.5$
$\geq 100$	$\pm 0.8$



1. RATING : 28 V DC , 0.4A .
2. CONTACT RESISTANCE : 100 m $\Omega$  , MAX .
3. INSULATION RESISTANCE : DC 500 V / 100 M $\Omega$  , MIN .
4. WITHSTAND VOLTAGE : AC 500 V / 1 MINUTE .
5. OPERATING TEMPERATURE : -25 $^{\circ}$ C ~ 70 $^{\circ}$ C .
6. OPERATING FORCE : 200 $\pm$ 100 gf .
7. LIFE CYCLE : 200,000 CYCLES .



**PCB LAYOUT**  
[reference drawing]

VER	DATE	APPROVAL	CONFIRM	DESIGN	ORIGINAL DESIGN	ENGINEERING RECORD DESCRIPTION
V0	2016/1/20	JOHNSON	ALEN	MIKE		
UNIT	SCALE	ANGLE TITER	VIEW	MODE		
mm	1 : 1	$\pm 3^{\circ}$		PUSH WITH LED SWITCH		
PLB-N1PRGB-ATV-PKT						
<b>WWW.SLAKEVIEW.COM</b> <b>ELECTRONICS CO., LTD</b> TEL: (86)755-29424722/29424733						