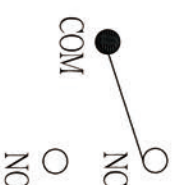
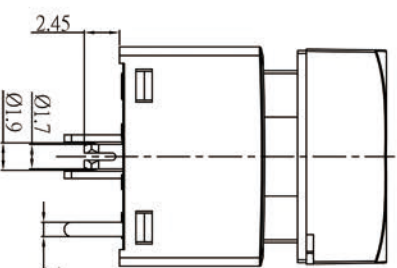
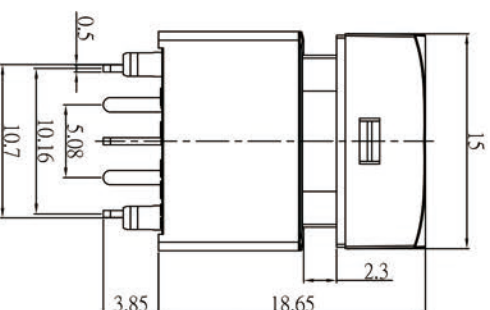
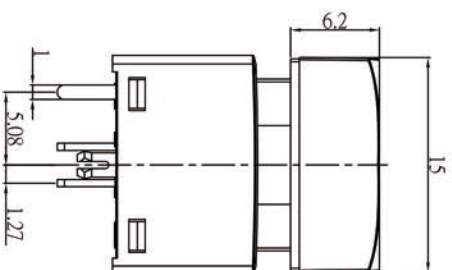
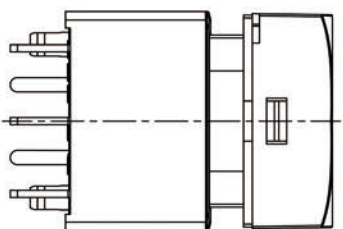


PIN TYPE	
COM	SW Terminal 1
NO	SW Terminal 2
NC	SW Terminal 3
VDD	V <sub>led</sub> [Power]
DI	DI[Data In]
DO	DO[Data Out]
GND	GND[Gorund]

DIMENSION	TOLERANCE
≤10	±0.3
10~100	±0.5
≥100	±0.8



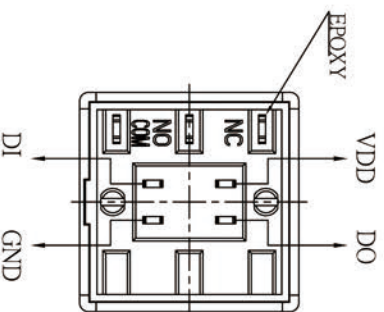
### SW CIRCUIT



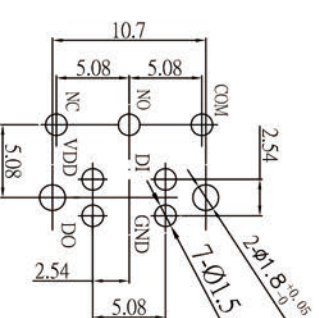
### "IC CONTROL"

### "RGB LED"

### LED TYPE



1. RATING : 28 V DC , 0.4A MAX.
2. CONTACT RESISTANCE : 100 mΩ , MAX .
3. INSULATION RESISTANCE : DC 500 V / 100 MΩ , MIN .
4. WITHSTAND VOLTAGE : AC 500 V / 1 MINUTE .
5. OPERATING TEMPERATURE : -25°C ~ 70°C .
6. OPERATING FORCE : 200±100 gf .
7. LIFE CYCLE: 200,000 CYCLES .



### PCB LAYOUT

VER	DATE	APPROVAL	CONFIRM	DESIGN	ENGINEERING RECORD DESCRIPTION	UNIT	SCALE	ANGLE TER	VIEW	MODE	Tel:
V0	2015/11/15	JOHNSON	ALEN	MIKE	ORIGINAL DESIGN	mm	1 : 1	± 3°		PUSH SWITCH WITH LED	WWW.SZLAKEVIEW.COM ELECTRONICS CO., LTD
					ENGINEERING RECORD DESCRIPTION						(86)755-29424722/29424733