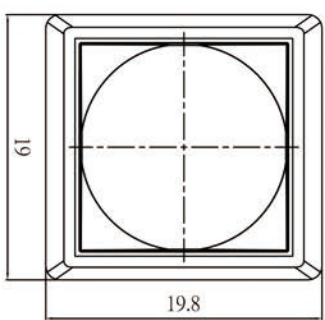
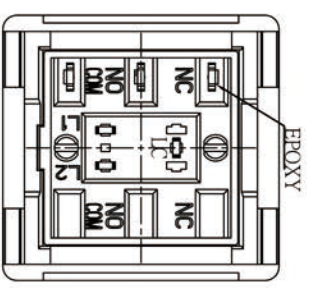
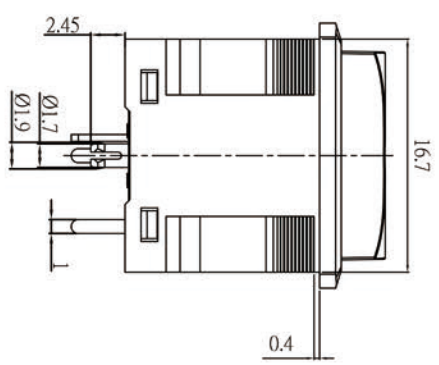
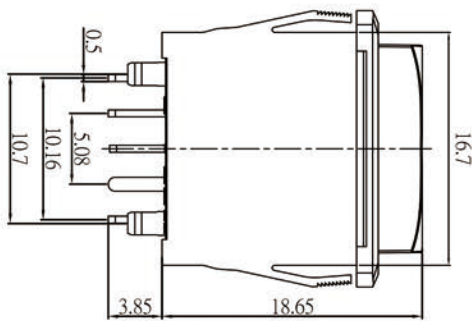
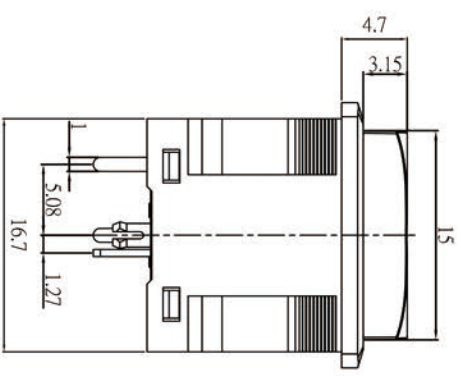
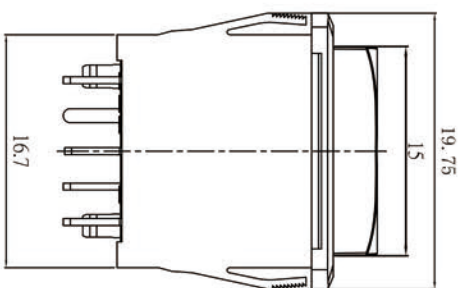
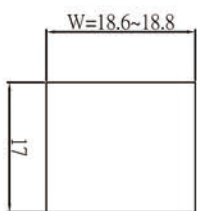
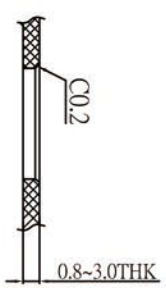


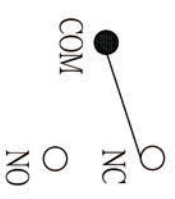
DIMENSION	TOLERANCE
≤10	±0.3
10~100	±0.5
≥100	±0.8



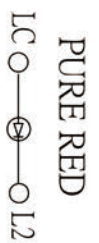
**PANEL CUT**



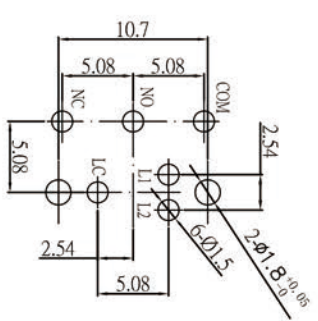
1. RATING : 28 V DC , 0.4A .
2. CONTACT RESISTANCE : 100 mΩ , MAX .
3. INSULATION RESISTANCE : DC 500 V / 100 MΩ , MIN .
4. WITHSTAND VOLTAGE : AC 500 V / 1 MINUTE .
5. OPERATING TEMPERATURE : -25℃ ~ 70℃ .
6. OPERATING FORCE : 200±100 gf .
7. LIFE CYCLE : 200,000 CYCLES .



**SW CIRCUIT**



**LED CIRCUIT**



**PCB LAYOUT**  
[reference dawing]

VO	DATE	APPROVAL	CONFIRM	DESIGN	ORIGINAL DESIGN	ENGINEERING RECORD DESCRIPTION	UNIT	SCALE	ANGLE TER	VIEW	MODE	Tel:
2015/5/25	JOHNSON	ALEN	MIKE	ENGINEERING RECORD DESCRIPTION	mm	1 : 1	± 3°	VIEW	PUSH WITH LED SWITCH	PLB-N1PVR-ATW-P1KN	WWW.SLAKEVIEW.COM ELECTRONICS CO., LTD	(86)755-2942472/29424733