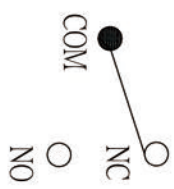
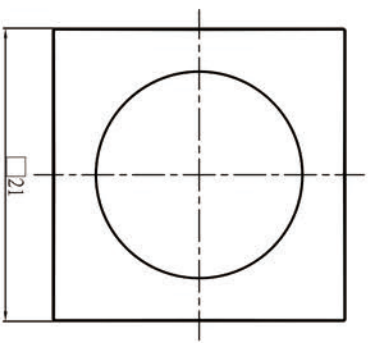


DIMENSION	TOLERANCE
≤10	±0.3
10~100	±0.5
≥100	±0.8

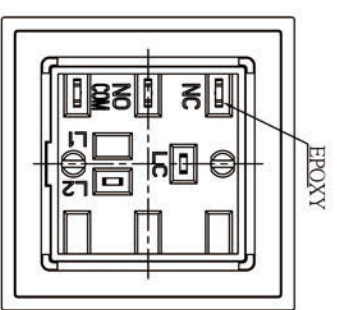
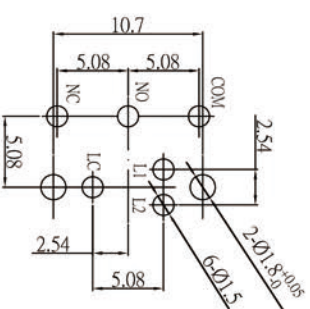
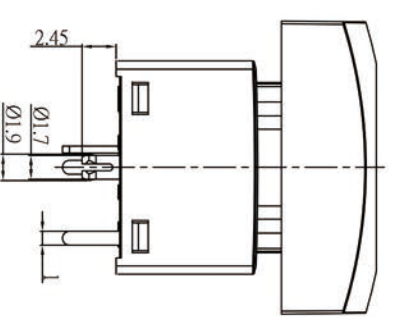
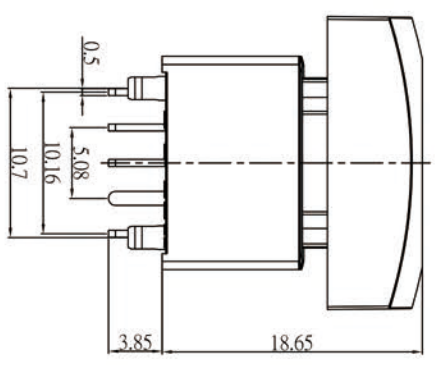
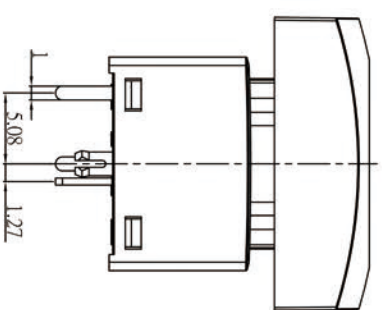
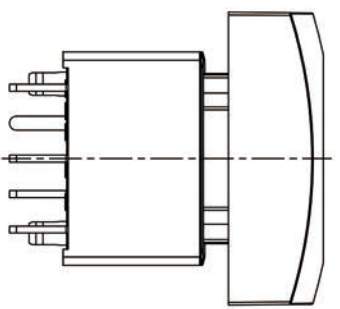


**SW CIRCUIT**

BLUE



**LED CIRCUIT**



1. RATING : 28 V DC , 0.4A .
2. CONTACT RESISTANCE : 100 mΩ , MAX .
3. INSULATION RESISTANCE : DC 500 V / 100 MΩ , MIN .
4. WITHSTAND VOLTAGE : AC 500 V / 1 MINUTE .
5. OPERATING TEMPERATURE : -25℃ ~ 70℃ .
6. OPERATING FORCE : 200±100 gf .
7. LIFE CYCLE: 200,000 CYCLES .

PCB LAYOUT  
[reference drawing]

VO	2015/11/15	JOHNSON	ALEN	MIKE	ORIGINAL DESIGN	UNIT	SCALE	ANGLE TER	VIEW	MODE
VER	DATE	APPROVAL	CONFIRM	DESIGN	ENGINEERING RECORD DESCRIPTION	mm	1 : 1	± 3°		PUSH WITH LED SWITCH
						PLB-NIPNB-ETW				
						<b>WWW.SLAKEVIEW.COM</b> <b>ELECTRONICS CO., LTD</b> Tel: (86)755-2942472/29424733				