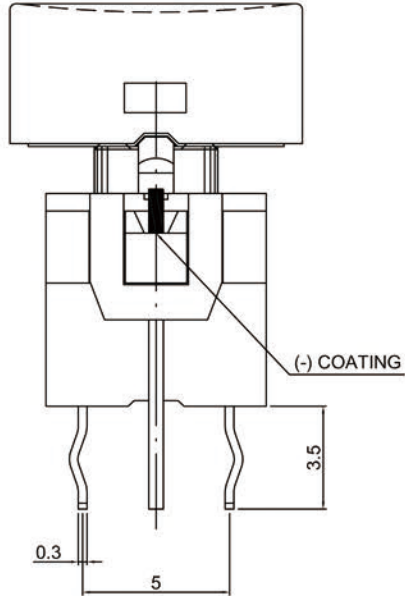
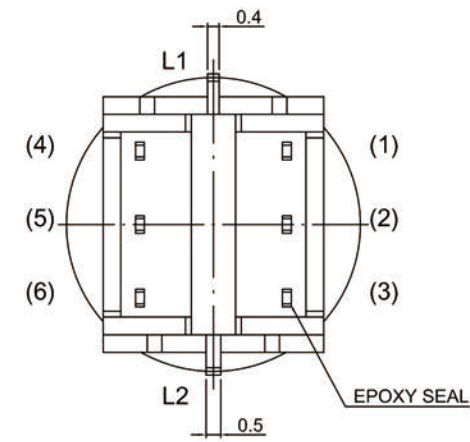
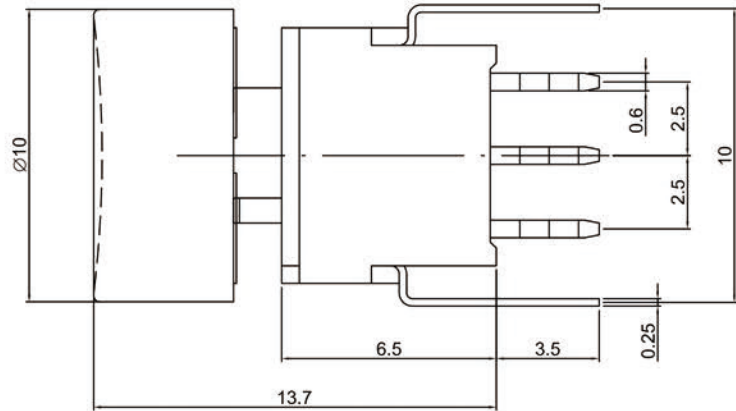
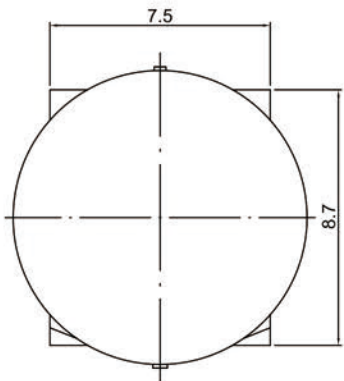
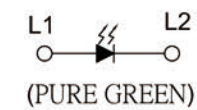


DIMENSION	TOLERANCE
BELOW 10 mm	±0.25
10~50 mm	±0.4
ABOVE 50 mm	±0.7

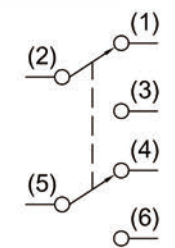


1. 2P2T , NON-LOCK TYPE .
2. RATING : 0.1A 30VDC MAX ; 0.1mA 5VDC MIN .
3. CONTACT RESISTANCE : 50 mΩ MAX .
4. INSULATION RESISTANCE : 250 V DC , 100 MΩ MIN .
5. OPERATING TEMPERATURE : -20°C ~ 70°C .
6. OPERATING FORCE : 250±100 gf .
7. OPERATING LIFE : 50,000 CYCLES .

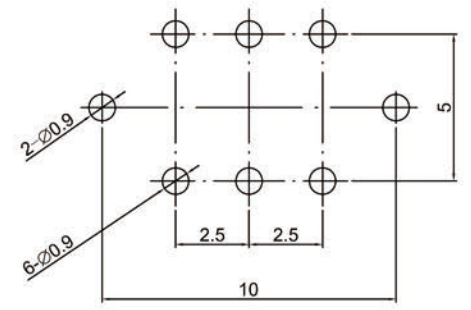
**LED CIRCUIT**



**CIRCUIT DIAGRAMS**



**PCB LAYOUT**



						UNIT	mm	MODE	TACT WITH LED SWITCH			<b>WWW.SZLAKEVIEW.COM</b> <b>ELECTRONICS CO., LTD</b>
V0	2015/7/25	JOHNSON	ALEN	MIKE	ORIGINAL DESIGN	SCALE	1 : 1	ANGLE TER	±3°	VIEW		
VER	DATE	APPROVA	CONFIRM	DESIGN	ENGINEERING RECORD DESCRIPTION	PART	PLA-N2P-G1NN-R3NWT			Fax:	(86)755-29424733	