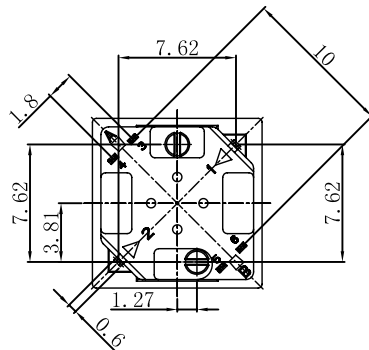
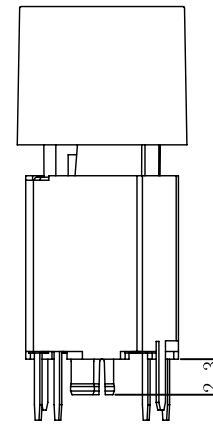
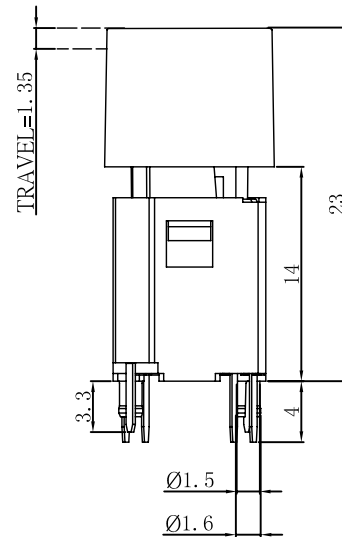
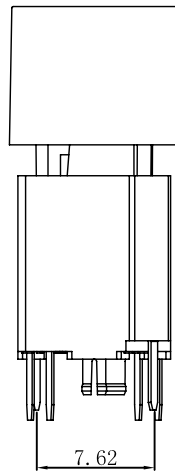
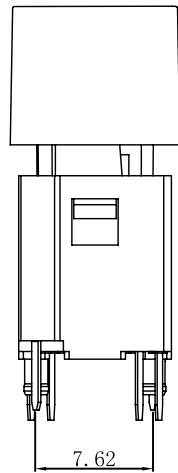
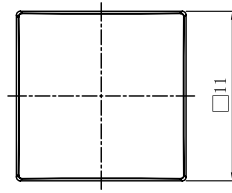


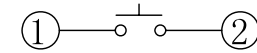
DIMENSION	TOLERANCE
BELOW 10 mm	± 0.25
10~50 mm	± 0.4
ABOVE 50 mm	± 0.7



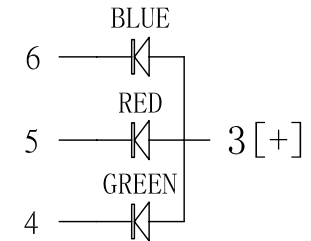
CAP COLOR

W	WHITE
K	BLACK
R	RED
B	BULE
N	WITHOUT
T	Transparent

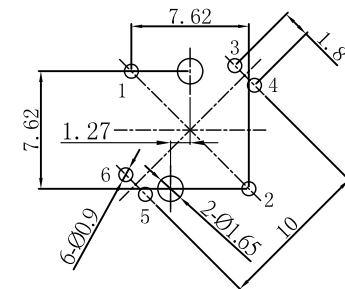
SW CIRCUIT



LED CIRCUIT



P. C. B. LAYOUT



SPECIFICATION :

1. RATING : 30VDC/100mA [MAX]; 5VDC/1mA [MIN] .
2. CONTACT RESISTANCE : 180 Ω MAX .
3. INSULATION RESISTANCE : 100 V DC - 100 MΩ MIN .
4. WITHSTAND VOLTAGE : 250 V AC - 1 MINUTE .
5. OPERATING FORCE : 125 ± 50 gf .
6. LIFE CYCLE : 500,000 CYCLE .

VO	DATE	APPROVAL	CONFIRM	DESIGN	UNIT	SCALE	MODE	TACT SWITCH WITH LED
2016/7/20	JOHNSON	ALEN	MIKE	ORIGINAL DESIGN	mm	1 : 1	ANGLE TER	± 3°
VER	DATE	APPROVAL	CONFIRM	DESIGN	PART	TL3-N1CBRG-ACW	VIEW	PHONE (86) 755-29424722/29424733



WWW.SZLAKEVIEW.COM
ELECTRONICS CO., LTD