

产品特点：

超高亮LED照明，耐久鲜明
 客制化帽盖选择，喷漆色盖、镭雕雕刻服务
 提供轻触型跟无声型
 具防尘结构，保护触电清洁

Features:

Super bright LED of single, dual or RGB colors
 Choice of colored caps
 Choice of painted colored caps
 Laser marking service
 Tactile or silent feel for option
 Silicon dust covered contact point, more stable

使用范围：

时尚消费产品
 电脑周边
 仪器通讯、居家...等

Applications

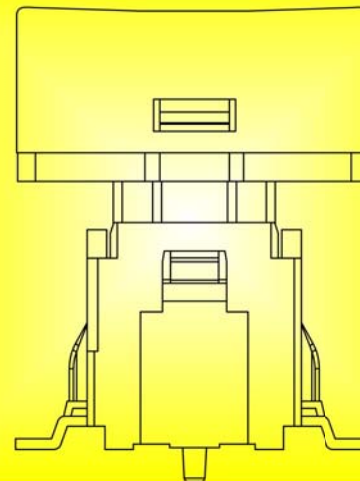
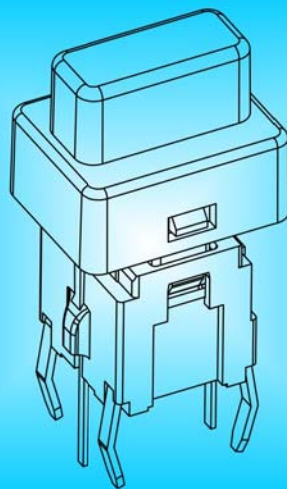
Consumer products
 Computer products
 Instrumentation
 Communication equipments
 Home security...etc.



LED照明颜色多变，可少量定制



Various and durable LED colors
 small quantity order available



Consumer products.
 Computer products.
 Instrumentation.
 Communication equipments.
 Home Security...etc.

时尚消费产品、电脑周边、仪器通讯、居家。

Applications : (使用范围)

Consumer products	时尚消费产品
Computer products	电脑周边
Instrumentation	仪器通讯
Communication equipments	居家
Home security...etc.	

General Specifications: (产品规格)

Contact Rating: 50mA 12V DC
Contact Resistance: 100mΩ Max. (initial)
Insulation Resistance: 100MΩ Min. 500V DC
Dielectric Strength: Breakdown is not allowable; 500V AC for 1 minute
Actuation Force: 180 ±50gf 250 ±80gf
Total Travel: 0.2mm±0.1mm
Operating Life: 500,000 cycles Min.
Operating Temperature: -20°C to 70°C

Material: (产品材质)



Cover: Polycarbonate(PC)
Actuator: Polyamide(PA)+GF
Base frame: Polyamide(PA)+GF
Terminal: Brass with gold plating

LED Specifications:

Color	V	Recommended Operating Current	VF	
			Nom	Max
Red	DC 5V	20mA	20mA	1.7V 2.4V
Green	DC 5V	20mA	20mA	1.9V 2.4V
Yellow	DC 5V	20mA	20mA	1.9V 2.4V
Blue	DC 5V	20mA	20mA	3.0V 3.6V
White	DC 5V	20mA	20mA	3.0V 3.6V

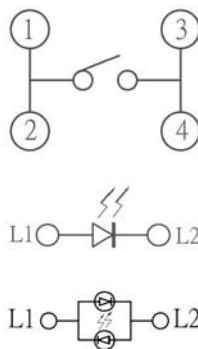
For the specification about the other LED colors ,Please contact with sales department.

HOW TO ORDER

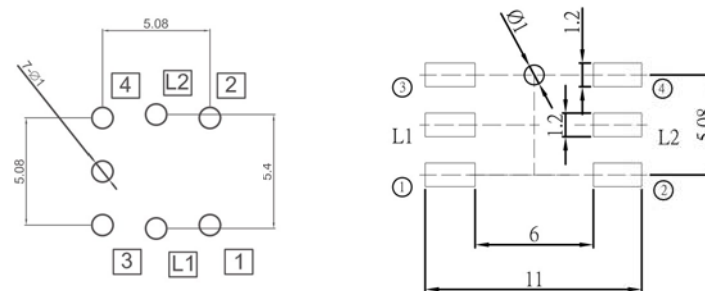
SERIES	FRAME TYPE	FRAME COLOR	CAP TYPE	CAP COLOR	LED COLOR	LED BRIGHTNESS	LED COLOR	LED BRIGHTNESS	TERMINAL	CAP SYMBOL
TL2	S	A	S	A	R	1	G	1		
	S=SQUARE S1=S1 sq S2=S2 sq S3=S3 sq R=ROUND R1=R1 ro R2=R2 ro R3=R3 ro N=NONE	K=BLACK W=WHITE A=GRAY N=NONE	S=SQUARE S1=S1 sq S2=S2 sq S... R=ROUND R1=R1 ro R2=R2 ro R... N=NONE	T=TRANSPARENT R=RED G=GREEN B=BLUE K=BLACK A=GRAY N=NONE	R=RED G=GREEN B=BLUE Y=YELLOW O=ORANGE W=WHITE N=NONE	1=HIGH 2=STANDARD N=NONE	R=RED G=GREEN B=BLUE Y=YELLOW O=ORANGE W=WHITE N=NONE	1=HIGH 2=STANDARD N=NONE	--P.C.B TYPE S=SMT TYPE	

CAP Symbol: Please refer to cap selection for all available symbols on cap surface, and any customization is welcomed

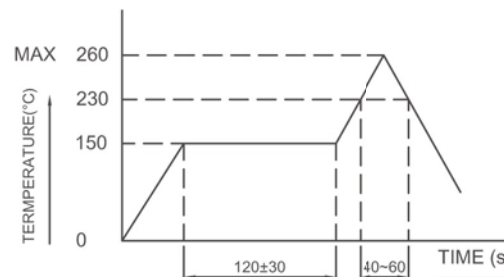
CIRCUIT



P. C. B LAYOUT



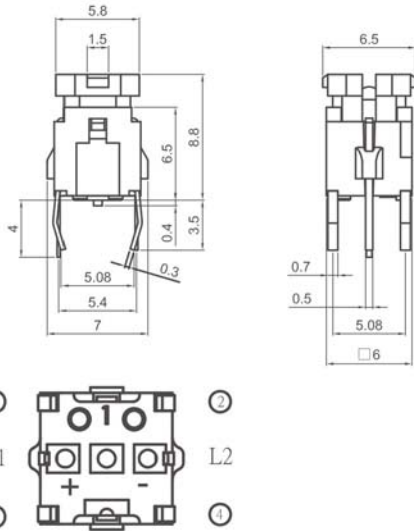
REFLOW SOLDERING



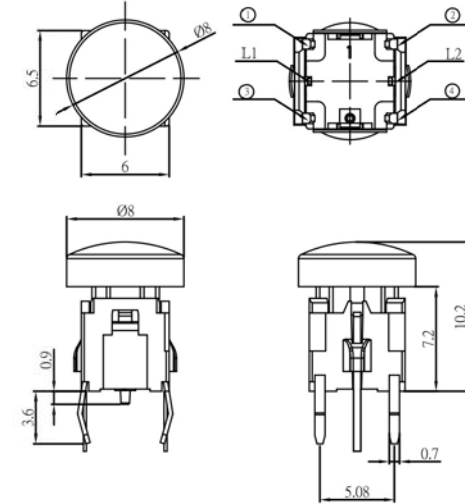
TL2

LED ILLUMINATED TACTILE SWITCH

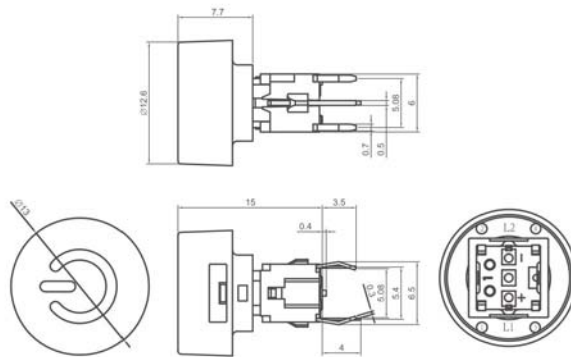
TL2-NNNN-R1NN



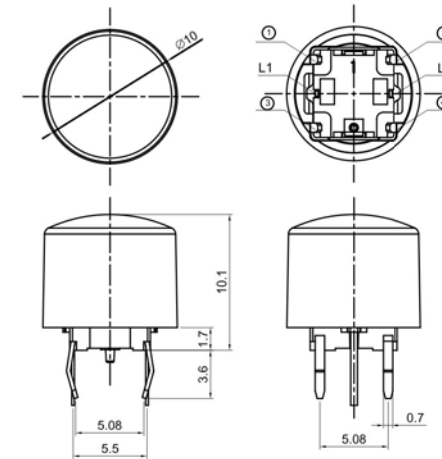
TL2-NNRW-B1NN



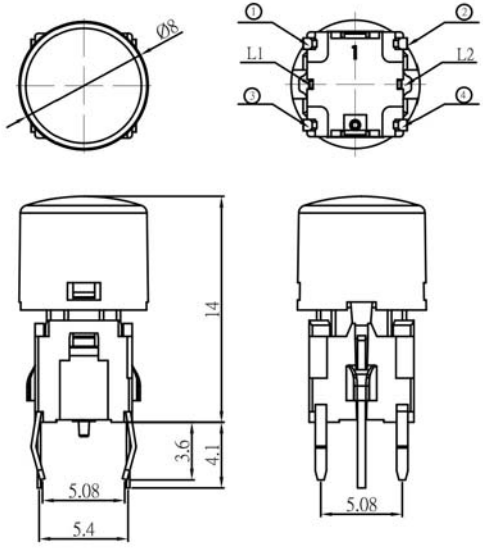
TL2-NNR2W-R1NN-KJ0



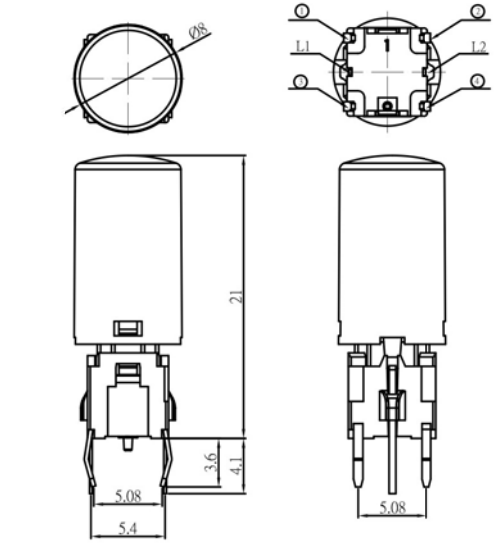
TL2-NNR3AWT-R1NN



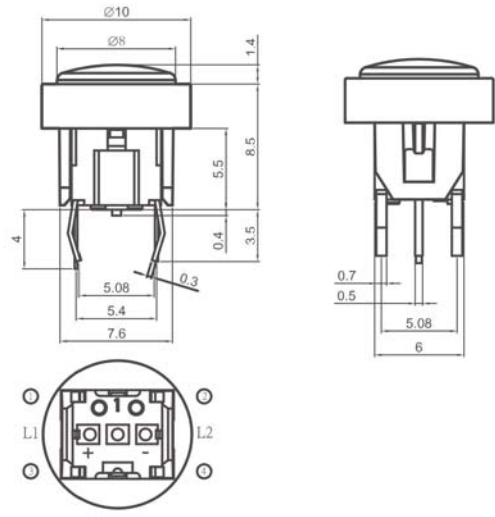
TL2-NNR8KT-G1NN



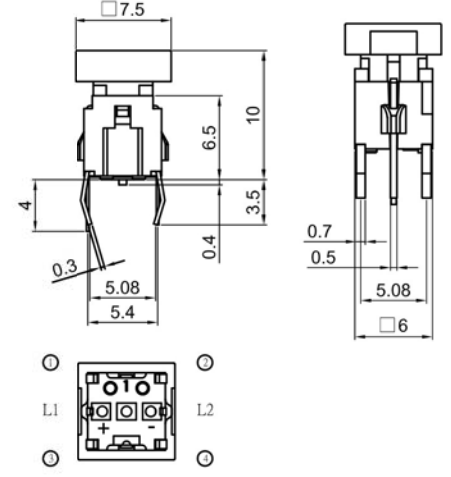
TL2-NNR10RT-R1NN



TL2-RKRW-G1NN



TL2-NNSK-G1NN

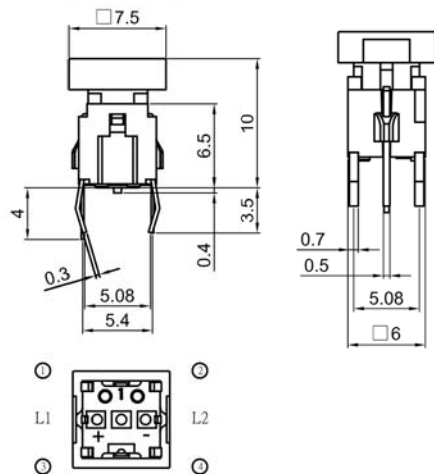


TL2

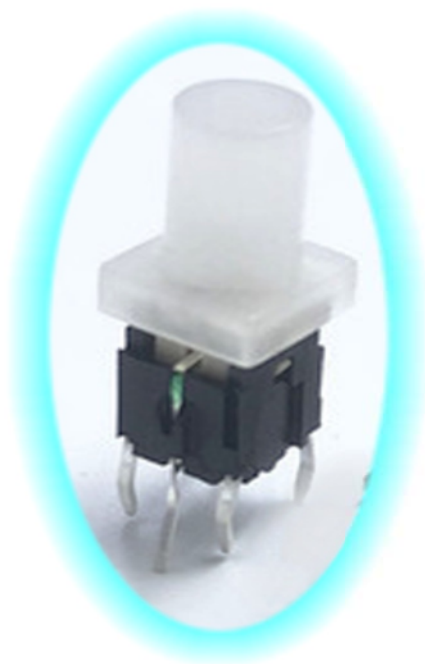
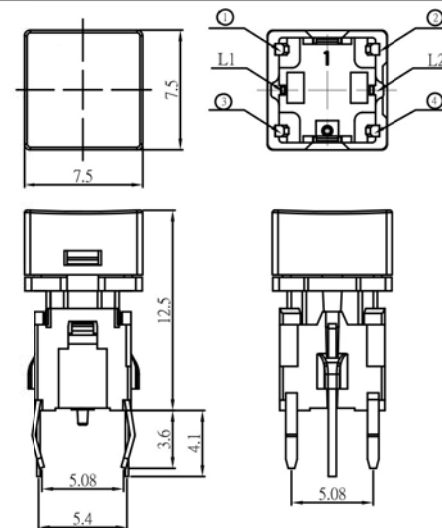
LED ILLUMINATED TACTILE SWITCH



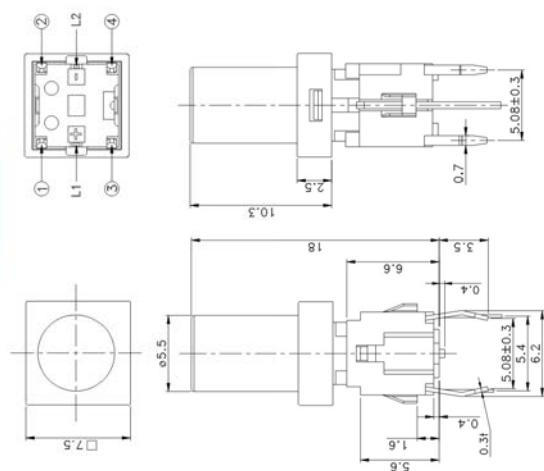
TL2-NNSW-G1NN



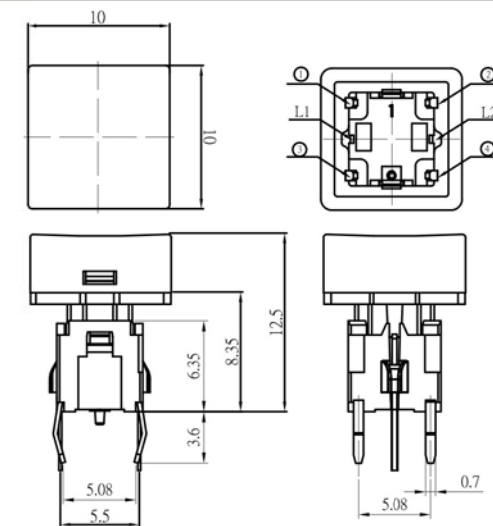
TL2-NNS1WT-G1NN



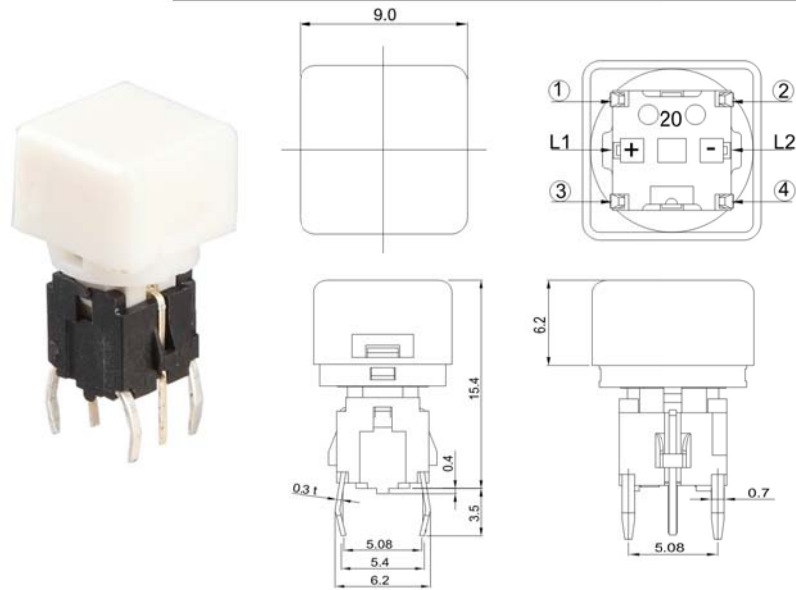
TL2-NNS2W-Y1NN



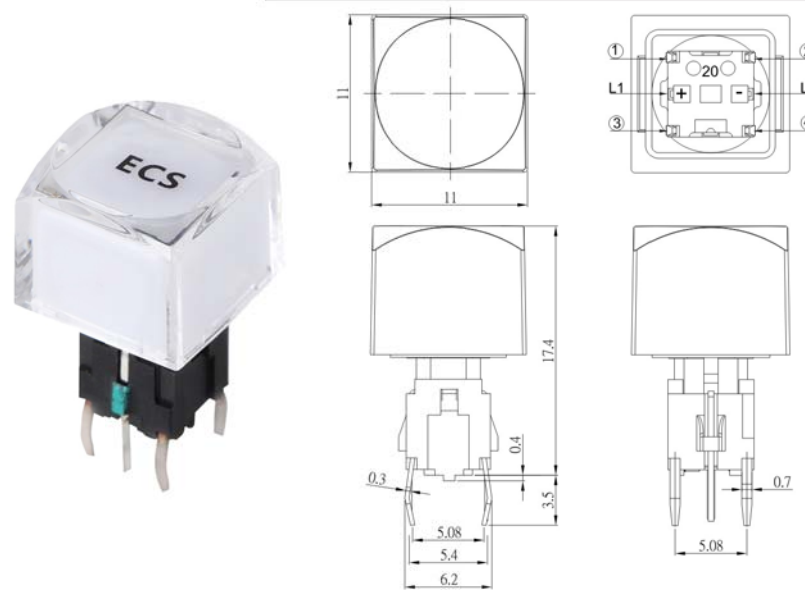
TL2-NNS4WT-G1NN



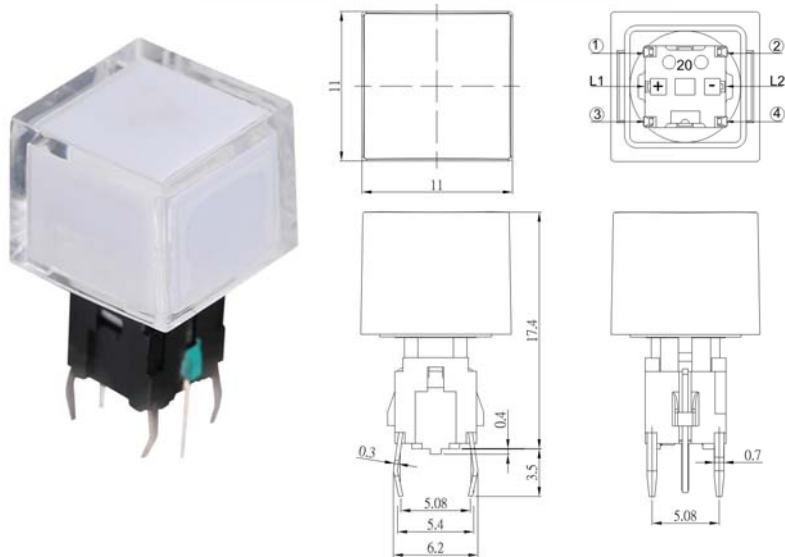
TL2-NNS7W-B1NN



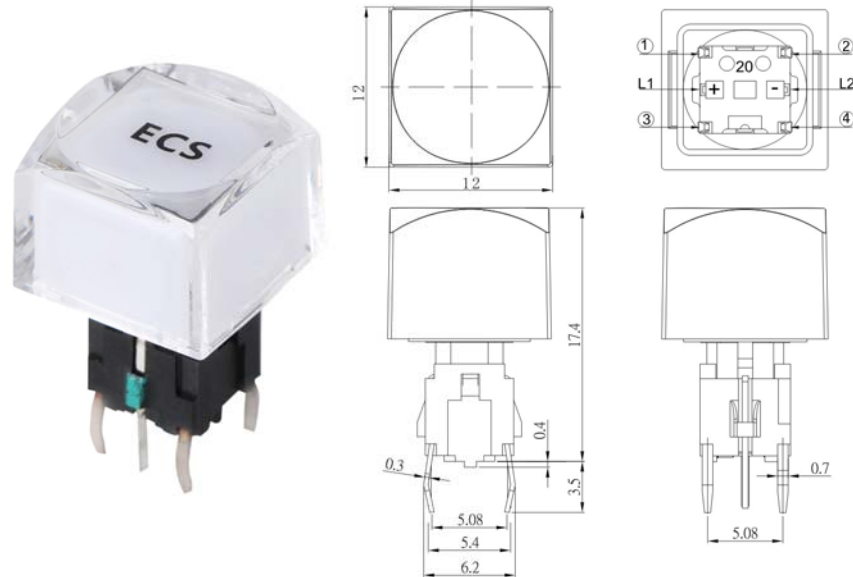
TL2-NNS7WT-B1NN



TL2-NNS9WT-O1NN



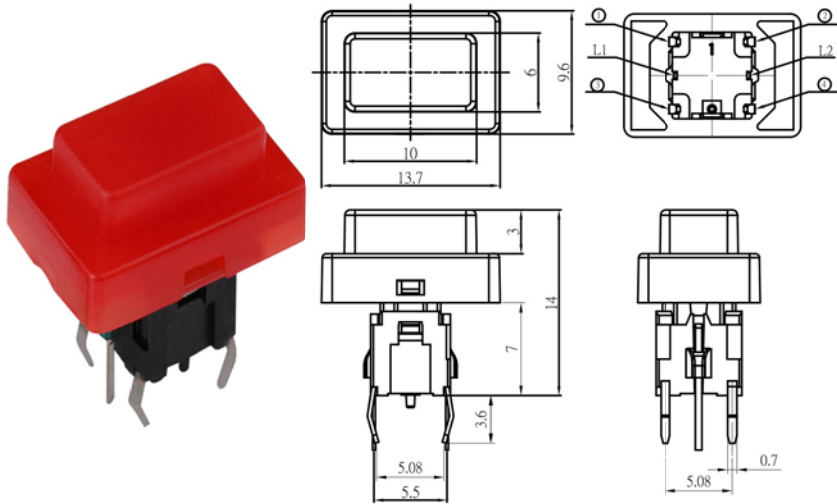
TL2-NNS10WT-B1NN



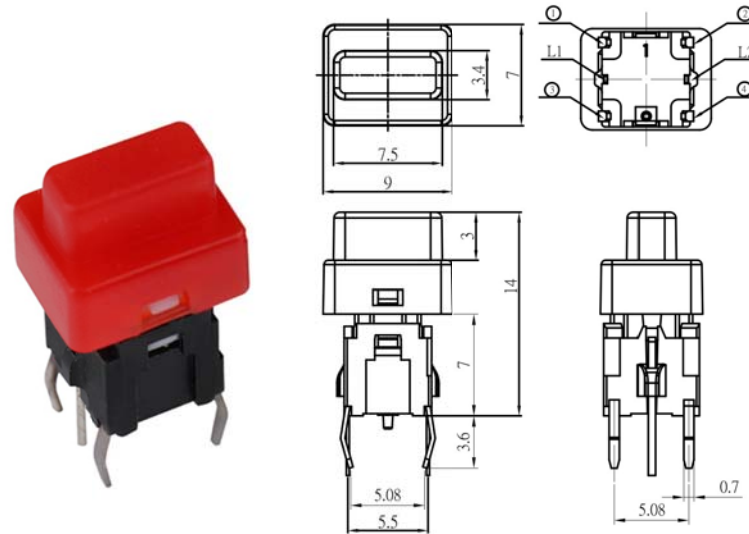
TL2

LED ILLUMINATED TACTILE SWITCH

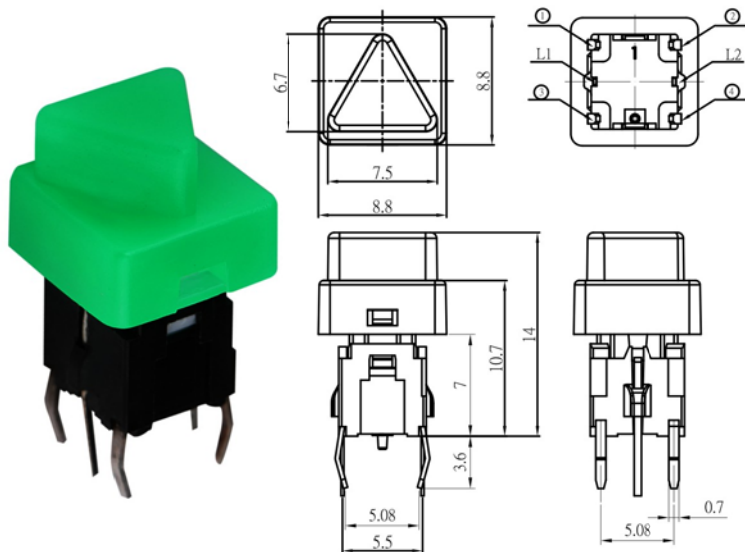
TL2-NNS13R-R1NN



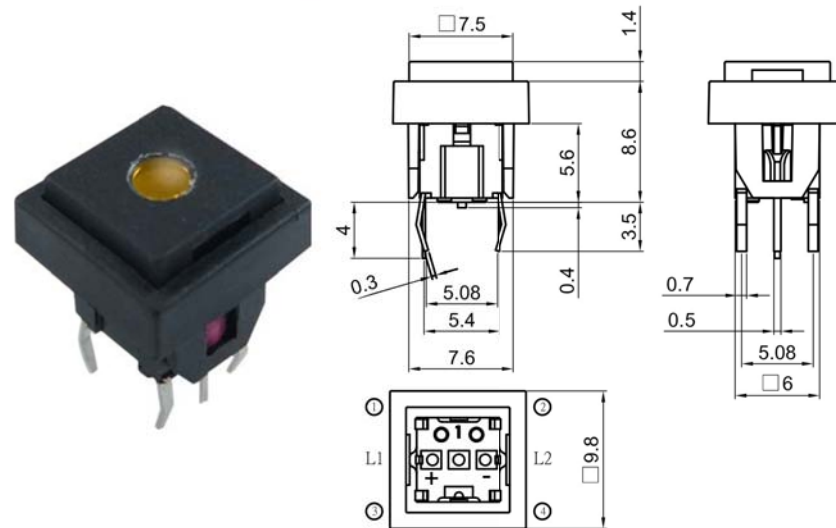
TL2-NNS14R-R1NN



TL2-NNS15G-G1NN

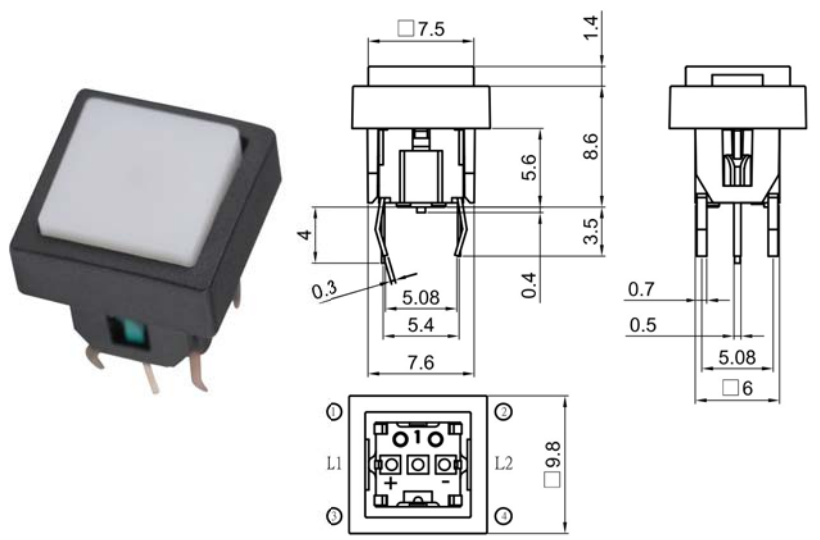


TL2-SKSK-Y1NN

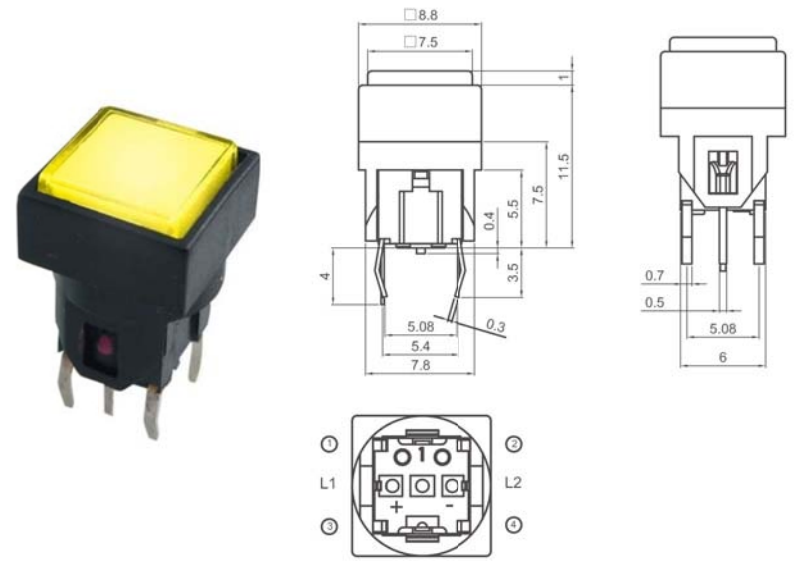


LED ILLUMINATED TACTILE SWITCH

TL2-SKSW-G1NN 



TL2-S1KS1T-Y1NN 



TL2-5-A 

