

Features:

- Super bright LED of single, dual or RGB colors available
- Choice of colored caps
- Choice of painted colored caps.
- Laser marking service
- Tactile or silent feel for option
- Silicon duct covered contact point, more stable

产品特点：

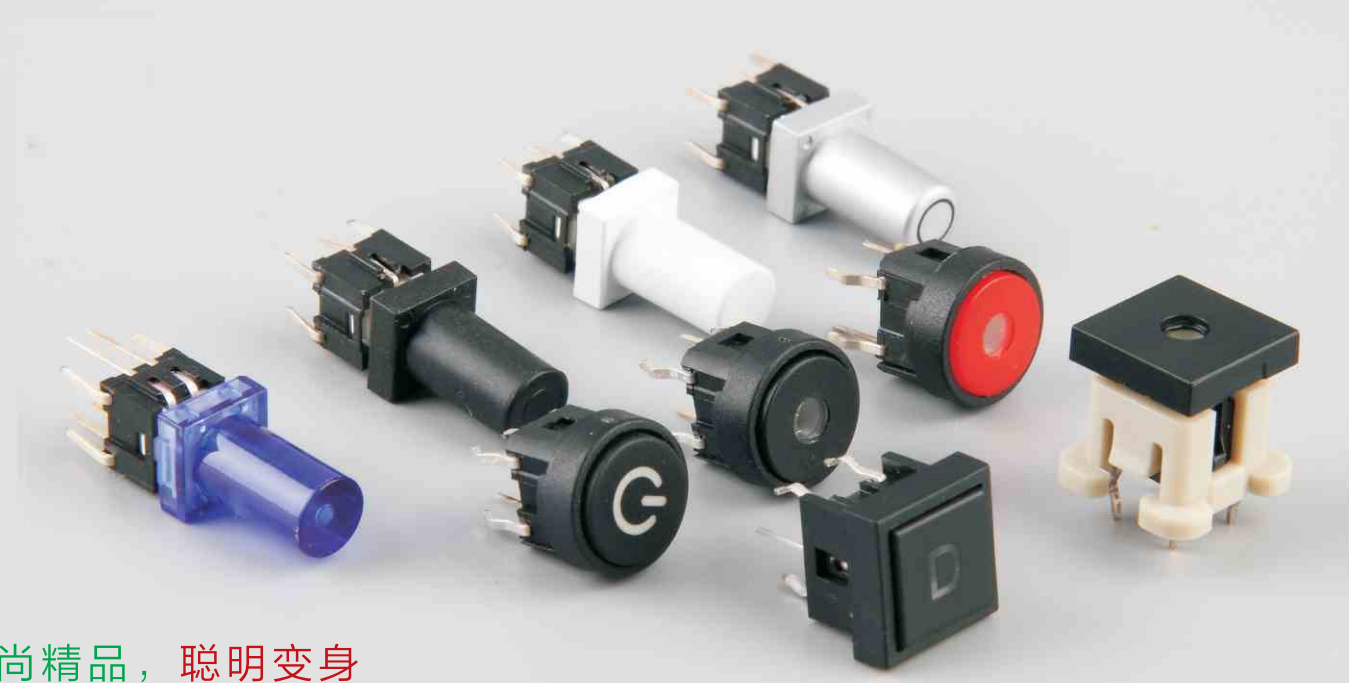
- 超高亮LED照光，耐久鲜明
- 客制化帽盖选择，喷漆色盖&镭射雕刻服务
- 提供轻触型及无声型两种选择
- 具防尘结构保护触点清洁

Applications:

- Consumer products
- Computer products
- Instrumentation
- Communication equipments
- Home Security...etc.

使用范围

时尚消费产品、电脑周边、仪器通讯、居家



时尚精品，聪明变身

Exquisite Fine Quality, Multiple LED Color Options



绝佳顿感，滑顺均匀
Tactile or non-tactile feel, perfectly poise

超高亮LED照光，耐久鲜明
Long electrical life cycles.

超高亮LED照光
耐久鲜明

Consumer products.
Computer products.
Instrumentation.
Communication equipments.
Home Security...etc.

时尚消费产品、电脑周边、仪器通讯、居家。

General Specifications: (产品规格)

Contact Rating: 50mA 12V DC
Contact Resistance: 100mΩ Max. (initial)
Insulation Resistance: 100MΩ Min.500V DC
Dielectric Strength:Breakdown is not allowable; 500V AC for 1 minute
Actuation Force: 180 ±50gf
Total Travel:0.2mm±0.1mm
Operating Life: 500,000 cycles Min.
Operating Temperature: -20°C to 70°C

Material: (产品材质)

Cover: Polyamide(PA)
Actuator: Polyamide(PA)
Base Frame:Polyamide(PA)
Terminal:Brass with silver plating

LED Specifications:

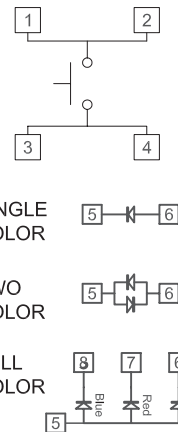
Color	V		Recommended Operating Current	VF	
				Nom	Max
Red	DC 5V	20mA	20mA	1.7V	2.4V
Green	DC 5V	20mA	20mA	1.9V	2.4V
Yellow	DC 5V	20mA	20mA	1.9V	2.4V
Blue	DC 5V	20mA	20mA	3.0V	3.6V
White	DC 5V	20mA	20mA	3.0V	3.6V

HOW TO ORDER

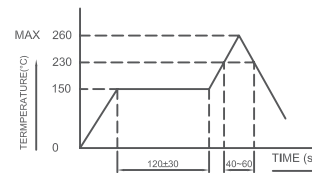
SERIES	FRAME TYPE	FRAME COLOR	CAP TYPE	CAP COLOR	LED COLOR	LED BRIGHTNESS	LED COLOR	LED BRIGHTNESS	TERMINAL	CAP SYMBOL
TL1	S	A	S	A	R	1	N	2		

CAP Symbol:Please refer to cap selection for all available symbols on cap surface,and any customization is welcomed

CIRCUIT

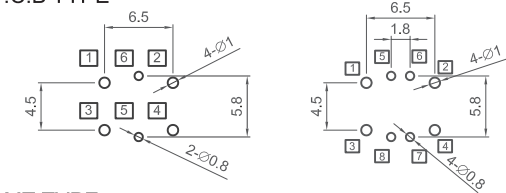


REFLOW SOLDERING

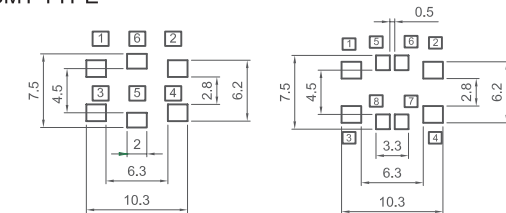


P.C.B LAYOUT

P.C.B TYPE

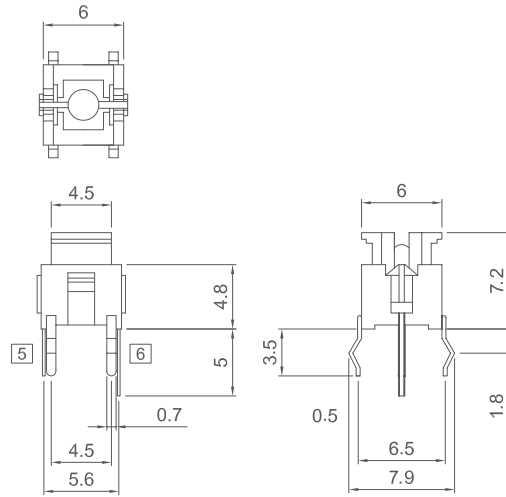


SMT TYPE

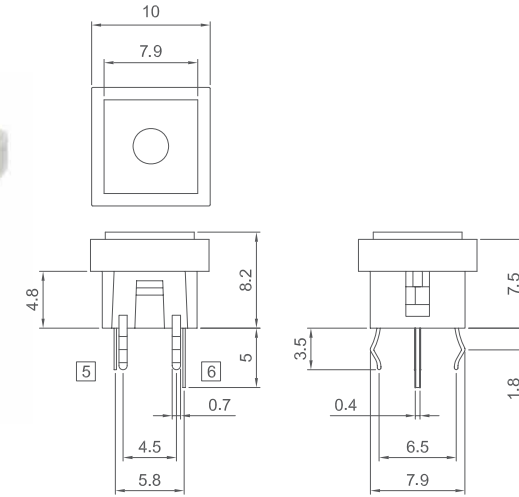


For the specification about the other LED colors ,Please contact with sales department.

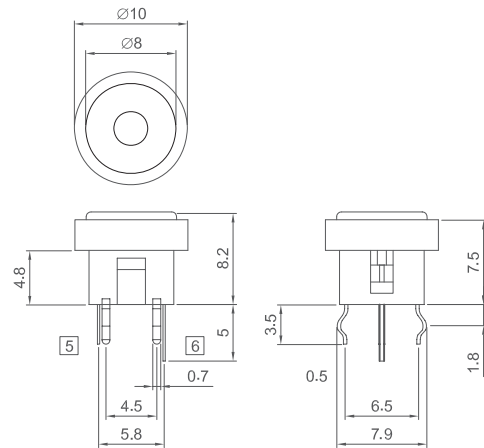
TL1-NNNN-R1NN



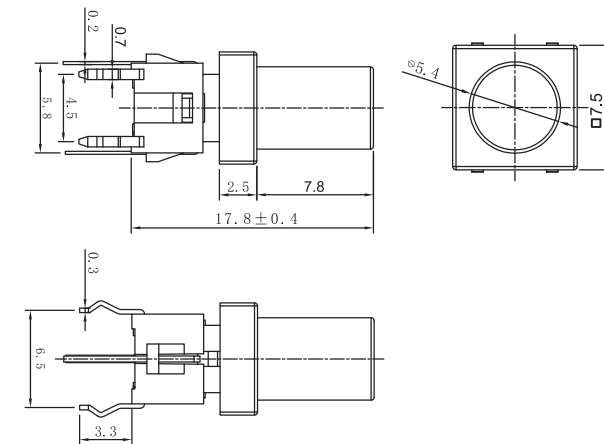
TL1-SASA-B1NN



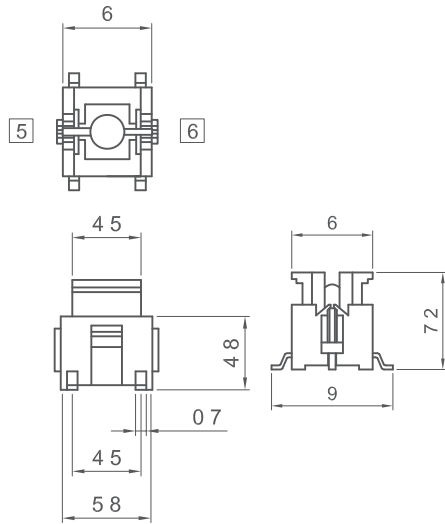
TL1-RKRK-B1NN



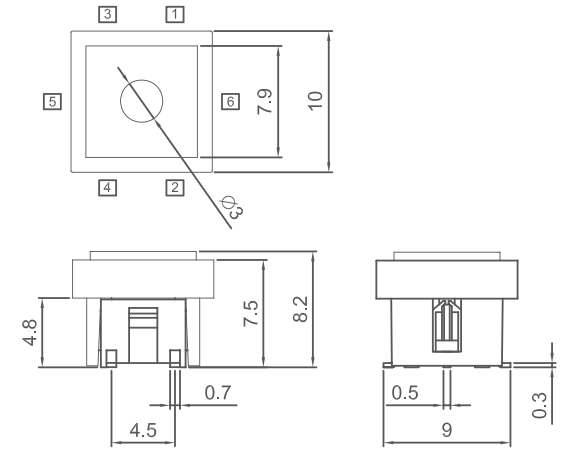
TL1-NNS1T-G1NN



TL1-NNNN-Y1NNS ::



TL1-SASA-R1NNS ::



TL1-RKRK-R1NNS ::

