

Features:

Right angle PCB mounted
Lock or non-lock type for option
1 or 2 pole options.
RGB color option available

产品特点：

超高亮LED照明，耐久鲜明
镭雕雕刻服务
手感绝佳，质量可靠。

使用范围：

时尚消费产品
仪器通讯、居家等...

Applications:

Computer products
Instrumentation.
communication equipments...etc.




绝佳顿感，滑顺均匀
Tactile or non-tactile feel, perfectly poise

超高亮LED照明，耐久鲜明
Long electrical life cycles.



超高亮LED照明
耐久鲜明

超长距离，高信耐接触，无杂讯
Long distance,
high contact resistance, no noise



无杂讯



Studio equipment.
Audio/Video products,
Broadcast system,
Instrumentation,
Telecommunications ...etc.
音响、影像等录音室器材设备、广播系统、
电信仪器设备

General Specifications (产品规格)

Function: Momentary or Alternate

Contact Rating: Gold, 0.4A Max. @ 28V (AC or DC)

Silver, 0.5A @ 25V DC; 0.2A @ 250V AC

Contact Resistance: 50mΩ silver, 100mΩ gold (initial max)

Insulation Resistance: 100MΩ @ 500V DC

Dielectric Strength: Breakdown is not allowable; 500V AC for 1 minute

Actuation Force: 200 ± 100 gf SPDT

300 ± 150 gf DPDT

Total Travel: 2.2mm ± 0.2mm

Life Expectancy (Mechanical): 1,000,000 cycles

Life Expectancy (Electrical): 200,000 cycles silver

200,000 cycles gold

Operating Temperature: -20° C to 70° C

Material: (产品材质)

Cover: Polycarbonate(PC)

Actuator: Polyoxymethylene(POM)

Base frame: Polyamide(PA)+GF

Terminal: Brass with gold plating

LED Specifications:

Color	V		Recommended Operating Current	VF	
				Nom	Max
Red	DC 5V	20mA	20mA	1.7V	2.4V
Green	DC 5V	20mA	20mA	1.9V	2.4V
Yellow	DC 5V	20mA	20mA	1.9V	2.4V
Blue	DC 5V	20mA	20mA </td <td>3.0V</td> <td>3.6V</td>	3.0V	3.6V
White	DC 5V	20mA	20mA	3.0V	3.6V

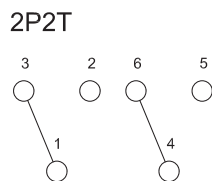
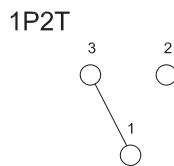
HOW TO ORDER

SERIES	OPERATION	POLE	TERMINAL	LED COLOR	LED COLOR	CAP TYPE	SW1 CAP COLOR	SW2 CAP COLOR	PLATE COLOR	FRAME TYPE	K
PLG	N	1	P	R	G	A	T	T	W	P1	K
	N=NON-LOCK	1=1 POLE 2=2 POLE	P=P,C,B TYPE W=WIRE TYPE	B=BLUE G=GREEN R=RED Y=YELLOW F=FULLCOLOR N=NONE	B=BLUE G=GREEN R=RED Y=YELLOW F=FULLCOLOR N=NONE	A=A TYPE B=B TYPE C=C TYPE D=D TYPE E=E TYPE F=F TYPE G=G TYPE	T=TRANSPARENT R=RED G=GREEN B=BLUE Y=YELLOW S=SILVER	T=TRANSPARENT R=RED G=GREEN B=BLUE Y=YELLOW N=NONE	W=WHITE R=RED G=GREEN B=BLUE Y=YELLOW	ATW=P1 ATW=P2 BTW=P3 BTW=P4	K=BLACK

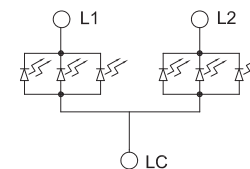
CAP Symbol: Please refer to cap selection for all available symbols on cap surface, and any customization is welcomed

SCHEMATIC

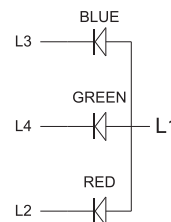
SWITCH



LED

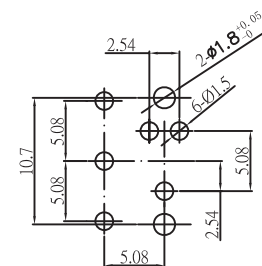


SW CIRCUIT

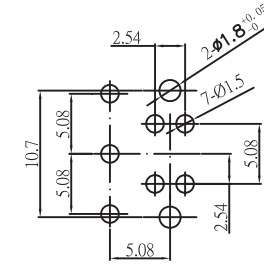


LED CIRCUIT

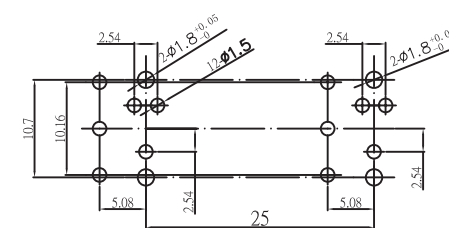
SINGLE&DOUBLE COLOR



RGB1

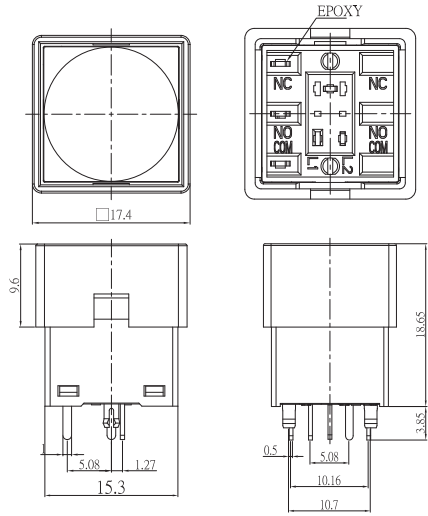


SW1+SW2

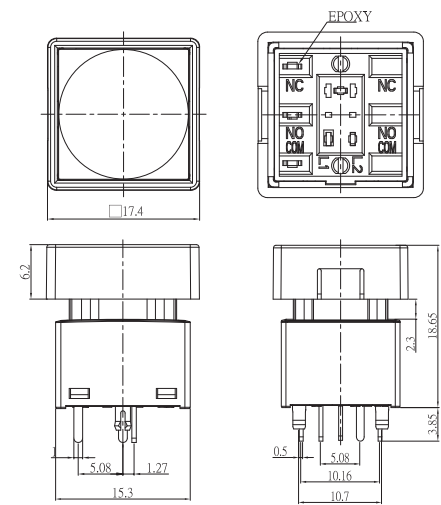


For the specification about the other LED colors, Please contact with sales department.

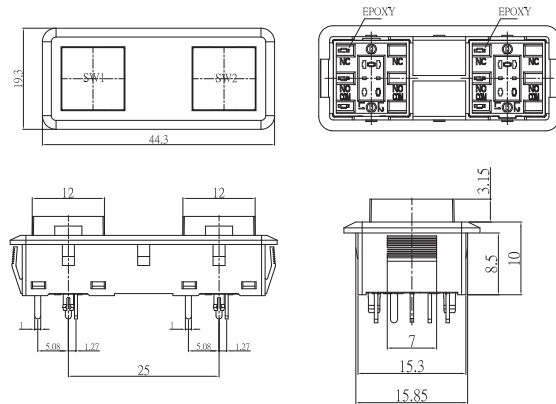
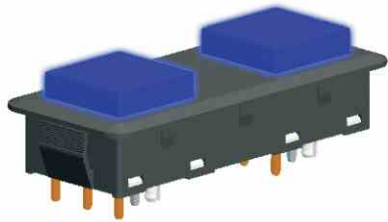
PLG-N1PNB-ATW-P2K



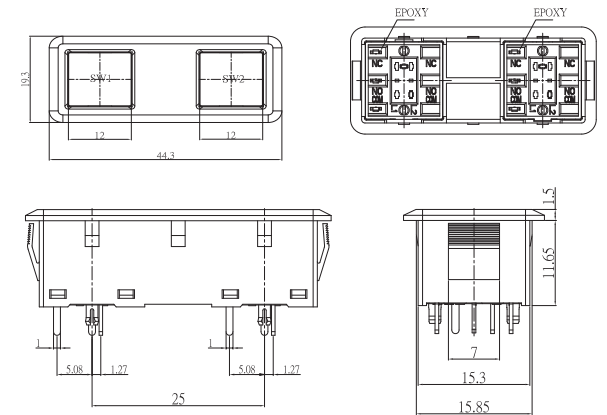
PLG-N1PNR-ATW-P1K



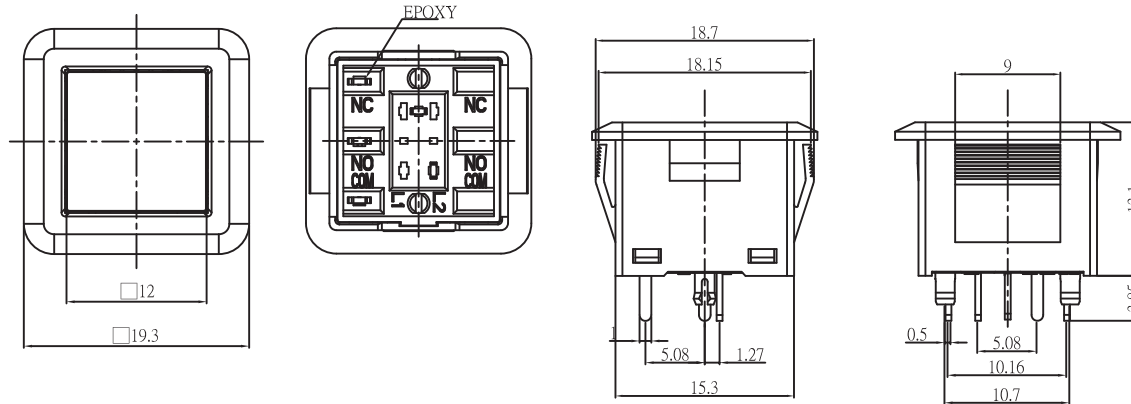
PLG-N1PNB-BTTW-P3K



PLG-N1PNG-BTTW-P4K



PLG-N1PNR-BTW



PLG-N1PNR-F1TW

