

**Features:**

- Panel mounting.
- Durable, vivid LED illumination.
- Choice of painted colored caps.
- Laser marking service.
- Available for Wires soldering to terminal.

**产品特点:**

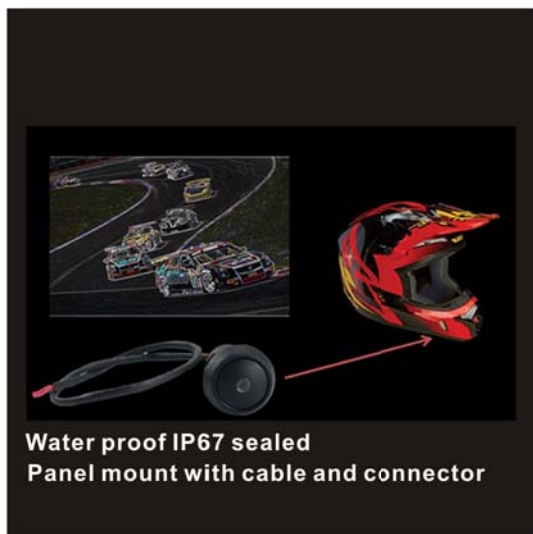
- 安装方便，节省空间
- LED照光颜色丰富，耐久鲜明
- 客制化帽盖选择，镭射雕刻服务
- 可提供焊接 线材整套方案



**Application:**

- Automotive industry.
- Office appliance.
- Communication equipments.
- Racing helmet...etc.

Exquisite Fine Quality, Silent Operation  
**PLE SERIES ILLUMINATED PUSH BUTTON**



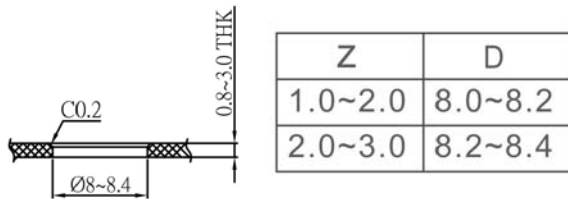
### General Specifications: (产品规格)

Function: Momentary Type, SPST with LED
Contact Rating: 0. 2A 30V DC
Contact Resistance: 50mΩ Max. 1.5V DC/100mA, by method of voltage drop
Insulation Resistance: 100MΩ Min 500V DC
Dielectric Strength: Breakdown is not allowable; 500V AC for 1 minute
Actuation Force: 250±100gf
Total Travel: 2.0mm±0.3mm
Operating life: 50, 000 cycles
Operating Temperature: -20°C to 70°C

### LED CIRCUIT DIAGRAM



### PANEL CUT OUT

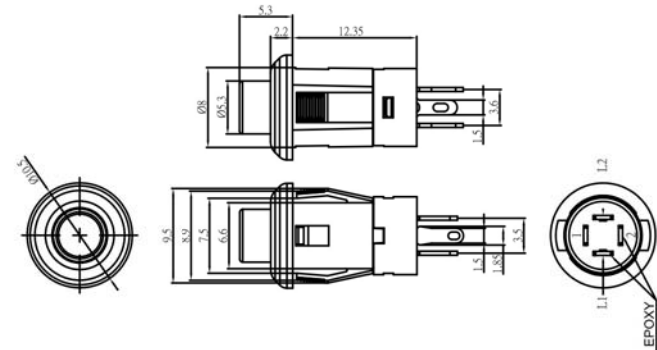


### HOW TO ORDER

SERIES	OPERATION	POLE	TERMINAL	LED COLOR	LED BRIGHTNESS	LED COLOR	LED BRIGHTNESS	FRAME TYPE	CAP TYPE	CAP COLOR	CAP SYMBOL
PLE	N	1	W	R	1	N	N	S1	K	T	P5
	N=NON-LOCK X=INDICATOR LIGHT	1=1 POLE	W=WIRE TYPE	R=RED G=GREEN B=BLUE Y=YELLOW O=ORANGE W=WHITE N=NONE	1=HIGH 2=STANDARD N=NONE	R=RED G=GREEN B=BLUE Y=YELLOW O=ORANGE W=WHITE N=NONE	1=HIGH 2=STANDARD N=NONE	N=STD R=R TYPE	N=STD R=R TYPE	T="STD" R=RED G=GREEN B=BLUE Y=YELLOW O=ORANGE W=WHITE N=NONE	

CAP Symbol: Please refer to cap selection for all available symbols on cap surface, and any customization is welcomed

### PLE-N1W-G1NN :.



### PLE-N1W-R1NN :.

