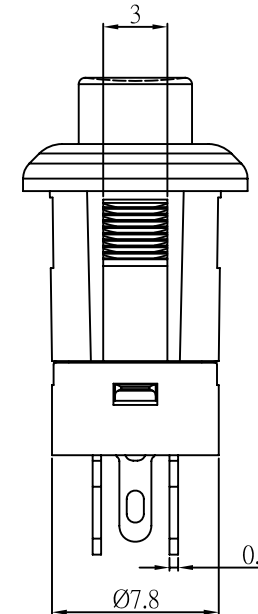
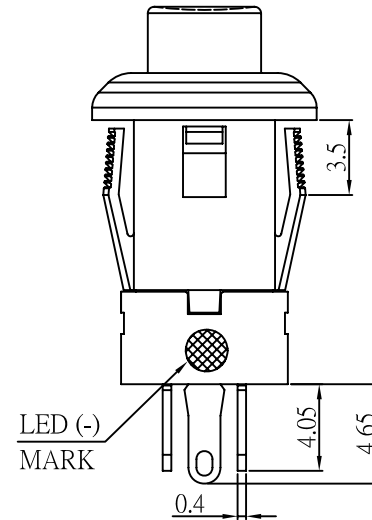
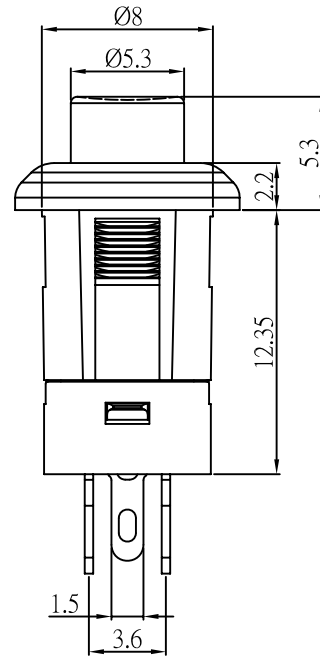
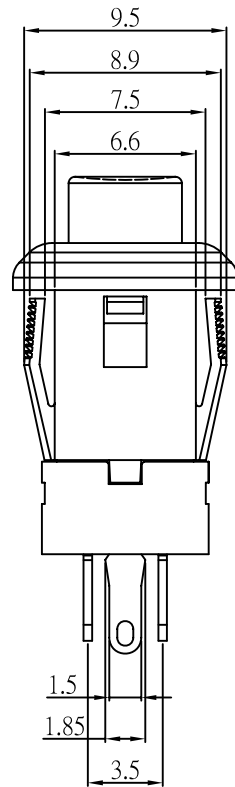
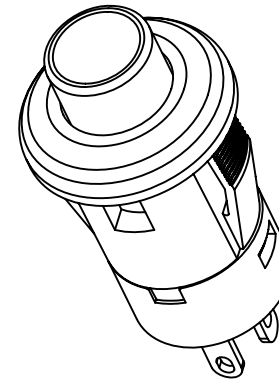
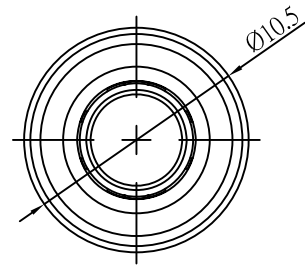
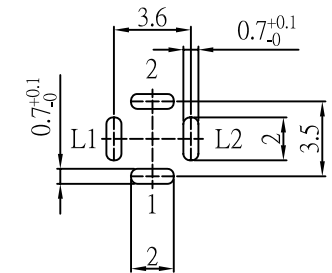


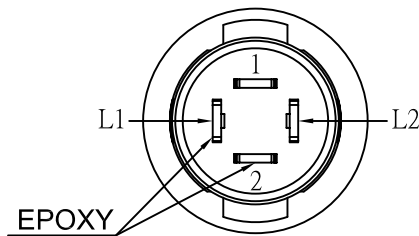
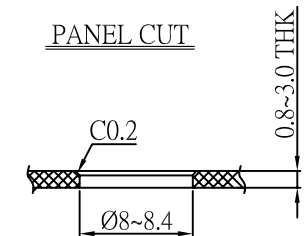
DIMENSION	TOLERANCE
BELOW 10 mm	± 0.25
10~50 mm	± 0.4
ABOVE 50 mm	± 0.7



P.C.B LAYOUT



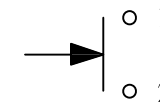
PANEL CUT



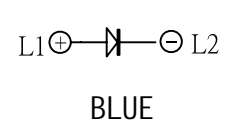
Specifications

1. Pole-position : Momentary Type, SPST with LED
2. Contact rating : 30V DC, 0.2A
3. Contact resistance : 50mΩ max;
1.5V DC, 100mA, by Method of Voltage DROP
4. Insulation resistance : 100 MΩ min. 500V DC
5. Dielectric strength : 500V AC for 1 Minute
6. Operating force 250±100gf
7. Operating life : 50,000 cycles
8. Operating temperature range : -40Ω ~ 85Ω

SW CIRCUIT



LED CIRCUIT



						UNIT	MODE	TACT WITH LED SWITCH	SHENZHEN LAKEVIEW ELECTRONICS CO., LTD
V0	2017/12/01	JOHNSON	ALEN	MIKE	ORIGINAL DESIGN	SCALE	ANGLE TER	± 3°	
VER	DATE	APPROVAL	CONFIRM	DESIGN	ENGINEERING RECORD DESCRIPTION	PART	PLE-N1W-BINN	VIEW	PHONE (86)755-29424722/29424733