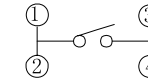
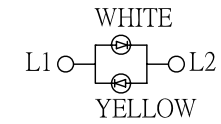
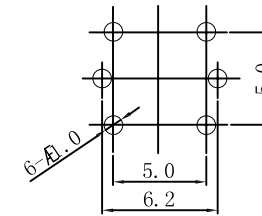


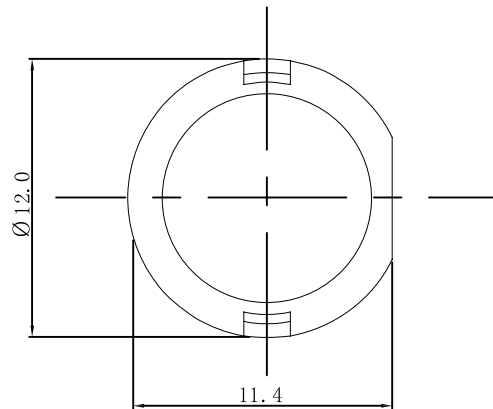
DIMENSION	TOLERANCE
± 10	± 0.3
10~100	± 0.5
³ 100	± 0.8



CIRCUIT



P. C. B LAYOUT



NOTES

1. RATING 35VDC 10mA
2. CONTACT RESISTANCE 100mΩ Max
3. INSULATION RESISTANCE 100MΩ 250VDC FOR 1 MIN
4. DI ELECTRIC STRENGTH 500VAC(50/60Hz) FOR 1 MIN
5. LIFE TEST: 50,000 CYCLES
6. OPERATION FORCE: 250± 80gf
7. TRAVEL: 1.0± 0.4mm
8. TEMPERATUTE -20°C ~70°C

8	LED	GaAsP/GAP	1
7	CONTACT	SUS	1
6	SPRING	SUS	1
5	CONTACT	C5210	1
4	TERMINAL	H65(C2680)	2
3	BUTTON	PC	1
2	MAST	PA66	1
1	CASE	PA66	1
I ITEM	PART NAME	MATERIAL	QTY

VO	DATE	APPROVAL	CONFIRM	DESIGN	ENGINEERING RECORD DESCRIPTION	UNIT	SCALE	ANGLE TER	VIEW	MODE
VO	2015/7/25	JOHNSON	ALEN	MIKE	ORIGINAL DESIGN	mm	1 : 1	± 3°		
VER	DATE	APPROVAL	CONFIRM	DESIGN	ENGINEERING RECORD DESCRIPTION	TL2-NND6R-W1Y1				Tel: (86) 755-29424722/29424733



WWW.SZLAKEVIEW.COM
ELECTRONICS CO., LTD