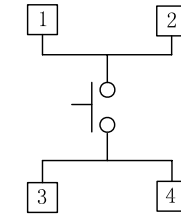
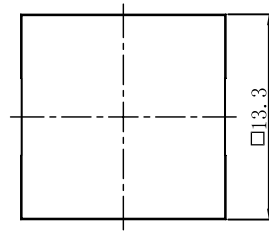
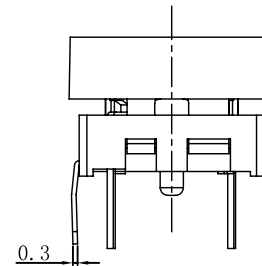
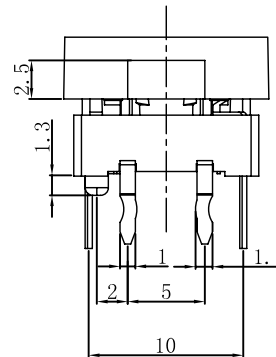
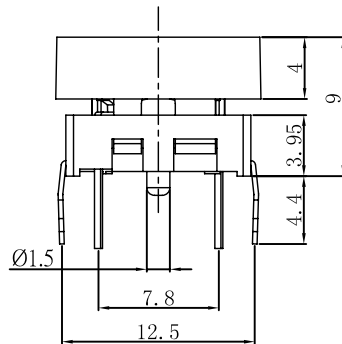
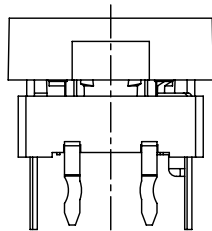


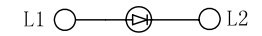
DIMENSION	TOLERANCE
BELOW 10 mm	± 0.25
10~50 mm	± 0.4
ABOVE 50 mm	± 0.7



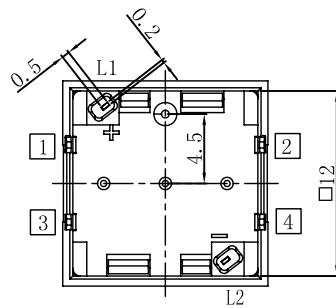
SW CIRCUIT



WHITE

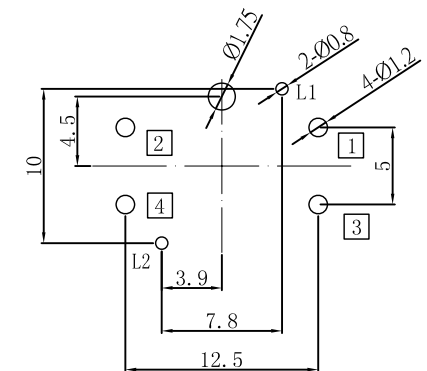


LED CIRCUIT



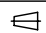


SPECIFICATION :

1. RATING : 12 VDC, 50mA
2. CONTACT RESISTANCE : 100mΩ MAX(INITIAL)
3. INSULATION RESISTANCE:100MΩ MIN
4. BREAKDOWN VOLTAGE : 250 VAC FOR 1 MINUTE
5. OPERATING FORCE : 250±50gf
6. TOTAL TRAVEL : 0.4±0.15mm
7. OPERATING TEMPERATURE: -20° C ~ 70° C
8. LIFE CYCLE : 500,000 CYCLE



PCB LAYOUT

						UNIT	mm	MODE	TACT WITH LED SWITCH	 WWW.SZLAKEVIEW.COM ELECTRONICS CO., LTD	
VO	2015/7/25	JOHNSON	ALEN	MIKE	ORIGINAL DESIGN	SCALE	1 : 1	ANGLE TER	± 3°		
VER	DATE	APPROVAL	CONFIRM	DESIGN	ENGINEERING RECORD DESCRIPTION	PART	TL12-SWST-WINN	VIEW	 	PHONE	(86) 755-29424722/29424733