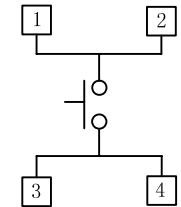
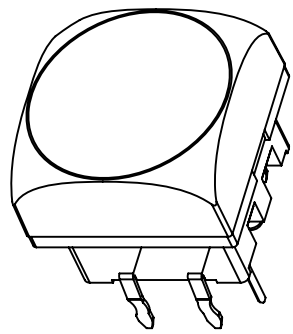
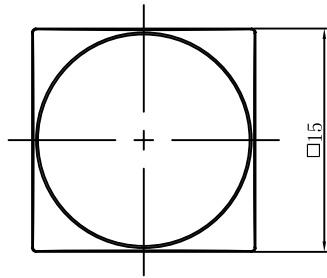
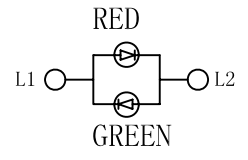
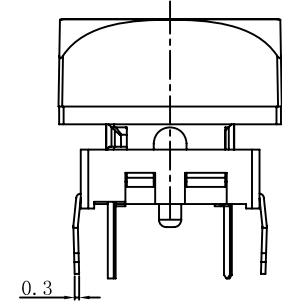
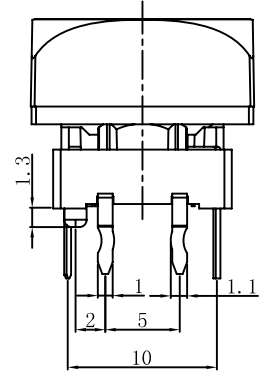
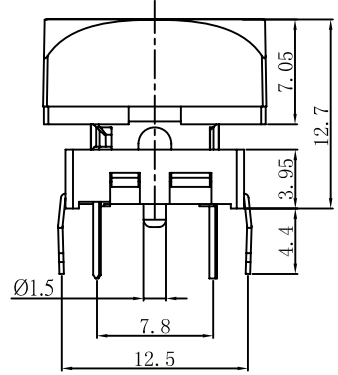
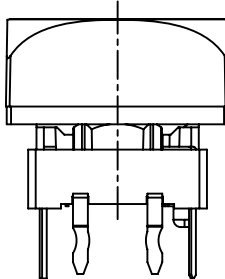


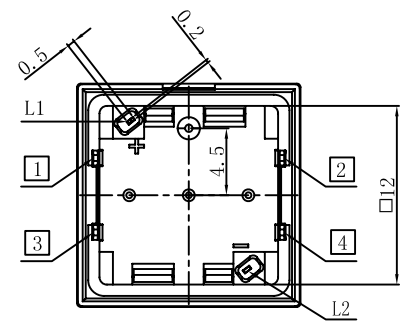
DIMENSION	TOLERANCE
BELOW 10 mm	± 0.25
10~50 mm	± 0.4
ABOVE 50 mm	± 0.7



SW CIRCUIT

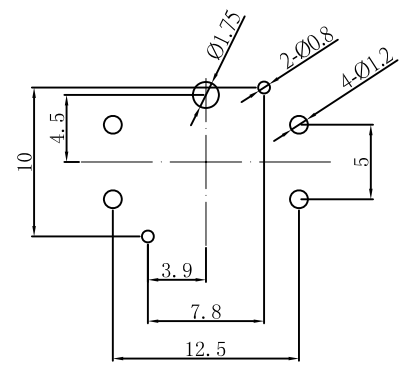


LED CIRCUIT



SPECIFICATION :

1. RATING : 12 VDC, 50mA
2. CONTACT RESISTANCE : 100mΩ MAX(INITIAL)
3. INSULATION RESISTANCE:100MΩ MIN
4. BREAKDOWN VOLTAGE : 250 VAC FOR 1 MINUTE
5. OPERATING FORCE : 250 ± 50gf
6. TOTAL TRAVEL : 0.4 ± 0.15mm
7. OPERATING TEMPERATURE: -20° C ~ 70° C
8. LIFE CYCLE : 500,000 CYCLE



PCB LAYOUT

VO	2015/7/25	JOHNSON	ALEN	MIKE	ORIGINAL DESIGN	UNIT	mm	MODE	TACT SWITCH WITH LED	SHENZHEN LAKEVIEW ELECTRONICS CO., LTD		
VER	DATE	APPROVAL	CONFIRM	DESIGN	ENGINEERING RECORD DESCRIPTION	SCALE	1 : 1	ANGLE TER	± 3°			
						PART	TL12-SWS5T-R1G1			VIEW	PHONE	(86) 755-29424722/29424733