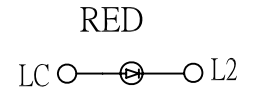
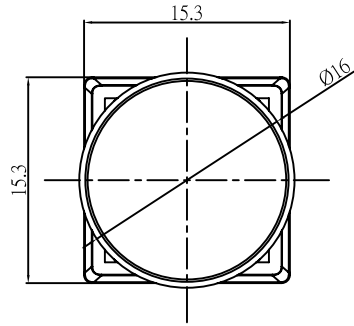
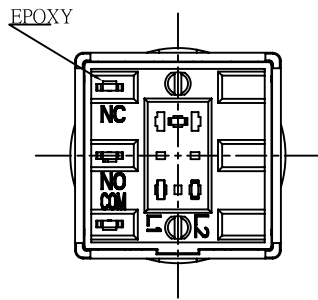
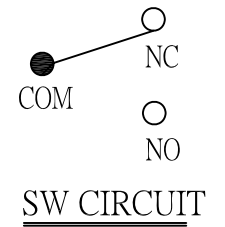
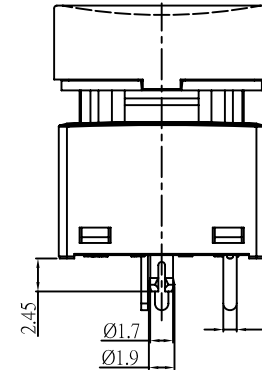
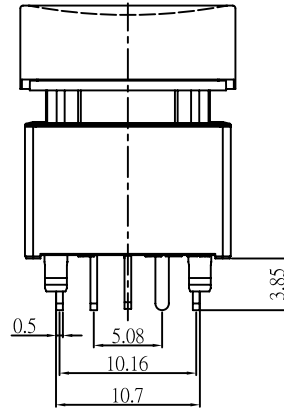
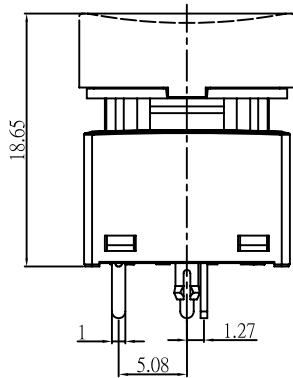
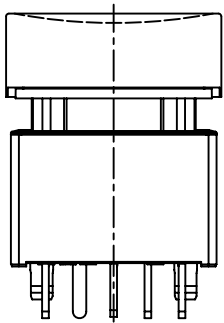


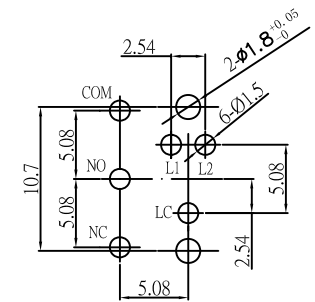
DIMENSION	TOLERANCE
≤10	±0.3
10~100	±0.5
≥100	±0.8



LED CIRCUIT



1. RATING : 28 V DC , 0.4A .
2. CONTACT RESISTANCE : 100 mΩ , MAX .
3. INSULATION RESISTANCE : DC 500 V / 100 MΩ , MIN .
4. WITHSTAND VOLTAGE : AC 500 V / 1 MINUTE .
5. OPERATING TEMPERATURE : -25 °C ~ 70 °C .
6. OPERATING FORCE : 200±100 gf .
7. LIFE CYCLE: 200,000 CYCLES .



PCB LAYOUT
[referance dawing]

UNIT	SCALE	ANGLE TER	VIEW	MODE
mm	1 : 1	± 3°		PUSH WITH LED SWITCH
PLB-NIPNR-RA1TW				
WWW.SZLAKEVIEW.COM ELECTRONICS CO., LTD				
Tel: (86)755-29424722/29424733				

VER	DATE	APPROVAL	CONFIRM	DESIGN	DESCRIPTION
V0	2017/7/25	JOHNSON	ALEN	MIKE	ORIGINAL DESIGN
VER	DATE	APPROVAL	CONFIRM	DESIGN	ENGINEERING RECORD DESCRIPTION