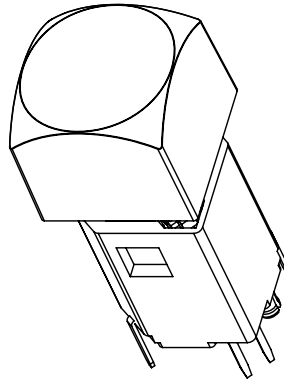
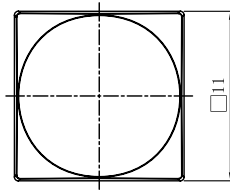
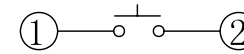


DIMENSION	TOLERANCE
BELOW 10 mm	± 0.25
10~50 mm	± 0.4
ABOVE 50 mm	± 0.7

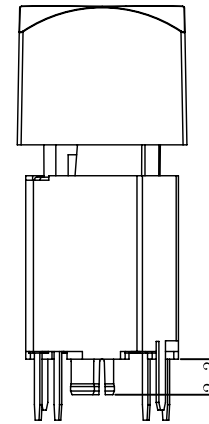
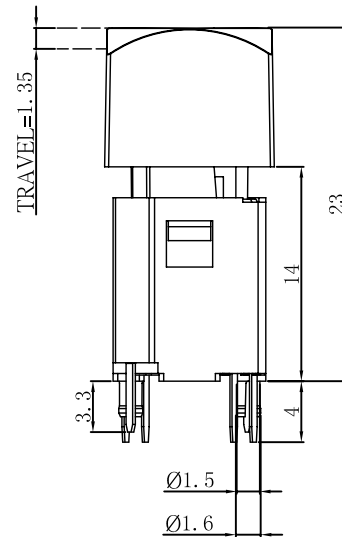
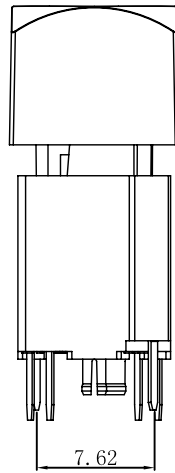
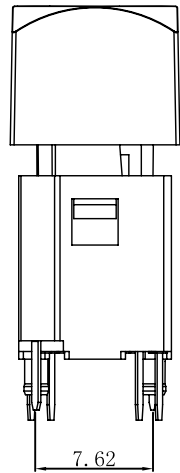


SW CIRCUIT

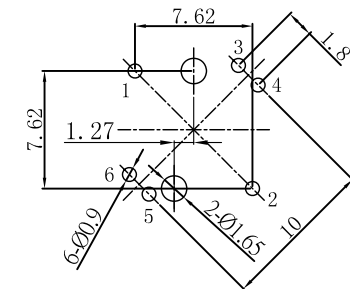


LED CIRCUIT

"IC CONTROL"  
"RGB LED"

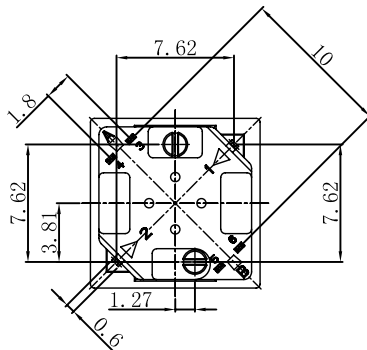


P. C. B. LAYOUT



CAP COLOR

W	WHITE
K	BLACK
R	RED
B	BULE
N	WITHOUT
T	transparent



SPECIFICATION :

1. RATING : 30VDC/100mA[**MAX**];5VDC/1mA[**MIN**] .
2. CONTACT RESISTANCE : 180Ω MAX .
3. INSULATION RESISTANCE : 100 V DC - 100 MΩ MIN .
4. WITHSTAND VOLTAGE : 250 V AC - 1 MINUTE .
5. OPERATING FORCE : 125 ± 50 gf .
6. LIFE CYCLE : 500,000 CYCLE .

PIN	
1	SW Terminal 1
2	SW Terminal 2
3=GND	GND[Gorund]
4=DOUT	DO[Data Out]
5=VDD	V <sub>DD</sub> [Power]
6=DIN	DI[Data In]

VO	DATE	APPROVAL	CONFIRM	DESIGN	UNIT	SCALE	MODE	TACT SWITCH WITH LED
2016/7/20	JOHNSON	ALEN	MIKE	ORIGINAL DESIGN	mm	1 : 1	ANGLE TER	± 3°
VER	DATE	APPROVAL	CONFIRM	DESIGN	PART	TL3-N1CBRG-ADT-AI	VIEW	PHONE (86) 755-29424722/29424733



WWW.SZLAKEVIEW.COM  
ELECTRONICS CO., LTD