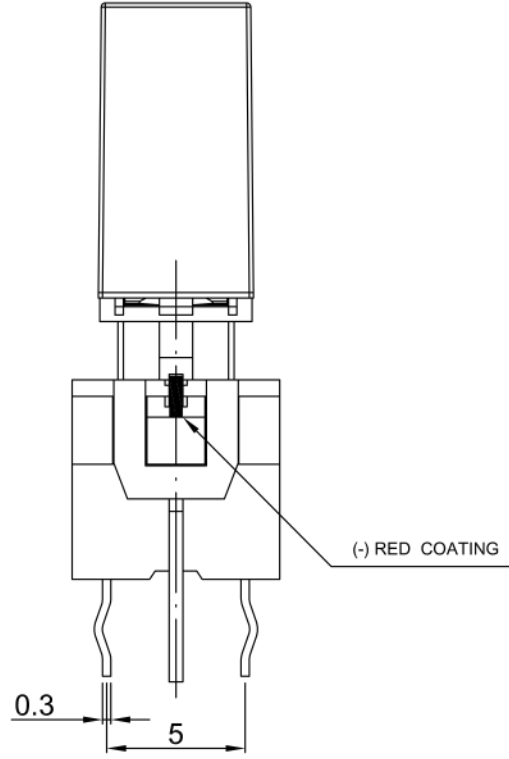
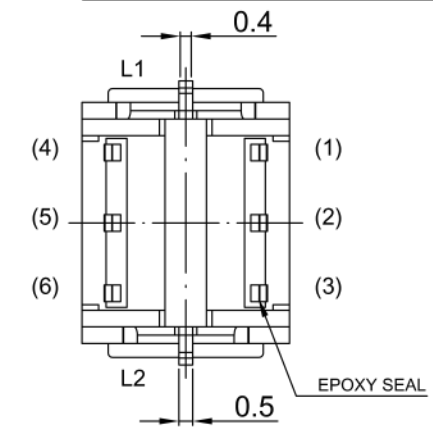
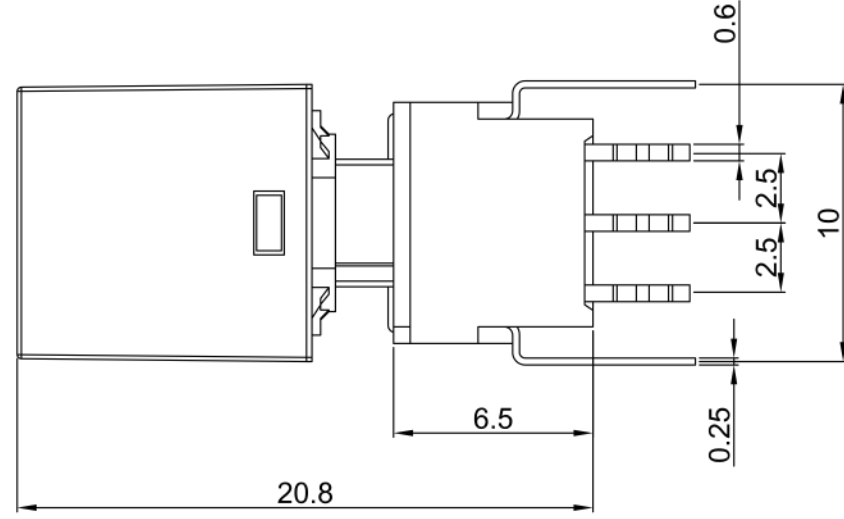
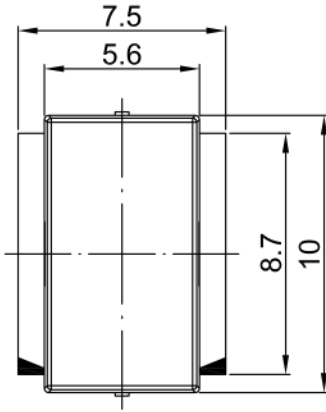
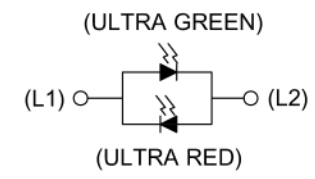


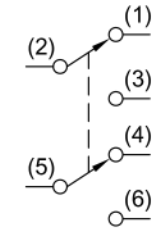
DIMENSION	TOLERANCE
BELOW 10 mm	±0.25
10~50 mm	±0.4
ABOVE 50 mm	±0.7



LED CIRCUIT

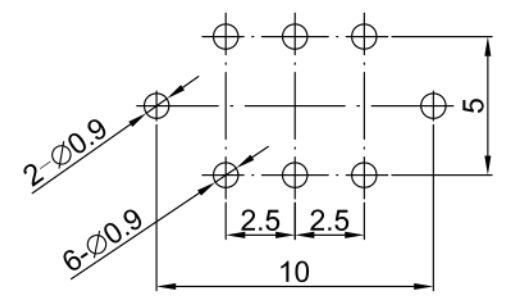


CIRCUIT DIAGRAMS



1. 2P2T , LOCK TYPE .
2. RATING : 0.1A 30VDC MAX ; 0.1mA 5VDC MIN .
3. CONTACT RESISTANCE : 50 mΩ MAX .
4. INSULATION RESISTANCE : 250 V DC , 100 MΩ MIN .
5. OPERATING TEMPERATURE : -20°C ~ 70°C .
6. OPERATING FORCE : 250±100 gf .
7. OPERATING LIFE : 50,000 CYCLES .

PCB LAYOUT



UNIT	mm	MODE	TACT WITH LED SWITCH	WWW.SZLAKEVIEW.COM ELECTRONICS CO., LTD							
SCALE	1 : 1	ANGLE TER	±3°		VIEW						
VER	DATE	APPROVAL	CONFIRM	DESIGN	ENGINEERING RECORD DESCRIPTION	PART	PLA-L2P-G1R1-S4NW	Tel:	(86)755-29424722	Fax:	(86)755-29424733